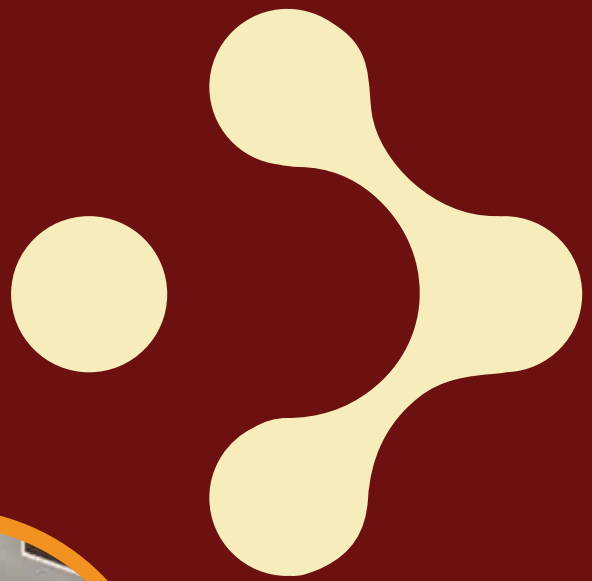


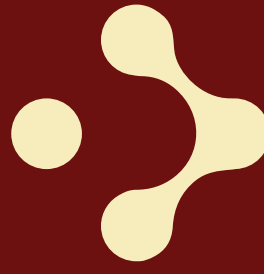


# TEKNAL

SMART ALUMINIUM SYSTEM

[www.teknal.com.tr](http://www.teknal.com.tr)





Combining know ledge and experience, Teknal Aluminum Systems has set out from İstanbul in order to meet the needs in this field to a great extent, to become a brand by raising its place in the sector and to introduce its brand to the whole world, especially in Europe.

In order to provide the best service to its customers with its experienced team, ou company continues its works without slowing dow and progresses to its growth targets with determined and disciplined working systems. Maintaining customer satisfaction at the highest level by delivering all aluminum systems including staircase, balcony, luminum railing, garden fance systems, glass supply and their export with reasonable price guarantee.

Being manufactured with high technology suitable for its age and having set out with the mission of product and service that embraces the essence of quality, Teknal Aluminum Systems works with companies, able to meet the needs and expectations of its distinguished customers in the best way, by offering special solutions to each customer and to increase the quality of its products and services.

Our most important goal is to ensure that our customers all around thw world, and especially in Europe, have access to our services in their best way of quality, to increase our product range by folowing the new products offered to the market and to be able to carry out all the necessary activities by informing our customers at every step of the process.

Teknal Aluminum has set out with motto ‘‘ Smart Aluminum Systems’’ , and aims to bring its customers together with tecnology and designs appropriate to its age; keeps moving forward with its quality, trust, economic, fast and clean service principles.

Bilgiyi beceri ve tecrübeyle buluşturan Teknal Alüminyum Sistemleri, bu alandaki ihtiyacı büyük ölçüde karşılamak, sektörde ki yerini yükselterek markalaşmak ve markasını başta Avrupa olmak üzere tüm Dünya’ya tanıtılabilmek adına İstanbul’ dan yola çıkmıştır.

Deneyimli ekibi ile müşterilerine en iyi hizmeti yüksek kalitede sunabilmek için çalışmalarını hız kesmeden sürdüren şirketimiz, kararlı ve disiplinli çalışma sistemiyle büyüme hedeflerine emin adımlarla ilerlemektedir. Başta merdiven, balkon, alüminyum korkuluk, bahçe çit sistemleri olmak üzere tüm alüminyum sistemlerini, cam tedarik ve ihracatını, cam balkon ve bahçe çit sistemleri ve cam çeşitleri gibi hizmetlerini uygun fiyat garantisi ile en kısa zamanda teslim ederek müşteri memnuniyetini maksimum seviyede tutmaktadır.

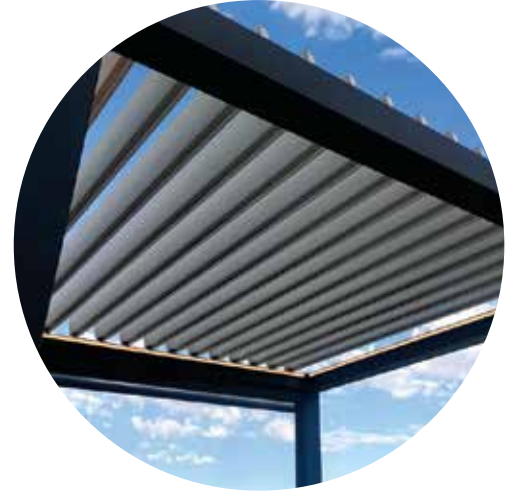
Çağına uygun yüksek teknoloji ile üretilmiş, kaliteyi özünde barındıran ürün hizmet misyonu ile yola çıkan Teknal Alüminyum Sistemleri, seçkin müşterilerinin ihtiyaç ve beklentilerini en iyi şekilde karşılayabilmek, her bir müşterisine özel çözümler sunarak, vereceği ürün ve hizmetlerin kalitesini daima arttırabilmek için sektörde markalaşmış en iyi firmalar ile çalışmaktadır.

Çoğunlukla Avrupa da olmak üzere Dünyanın pek çok ülkesinde bulunan müşterilerimizin hizmetlerimize yüksek kalitede erişebilmeleri, pazara sunulan yeni ürünleri takip ederek ürün çeşitliliğimizi artırabilmeyi ve müşterilerimizi her bir adımdan haberdar ederek gerekli tüm çalışmalarımızı ivedilikle yapabilmeyi en önemli hedefimiz olarak belirlemiş bulunuyoruz.

Teknal Alüminyum, ‘‘ Smart Aluminium Systems’’ sloganıyla yola çıkmış, çağına uygun teknoloji ve tasarımlar ile müşterilerini buluşturmaya kendisine hedef edinmiş; kalite, güven, ekonomik, hızlı ve temiz hizmet prensibiyle yoluna devam etmektedir.

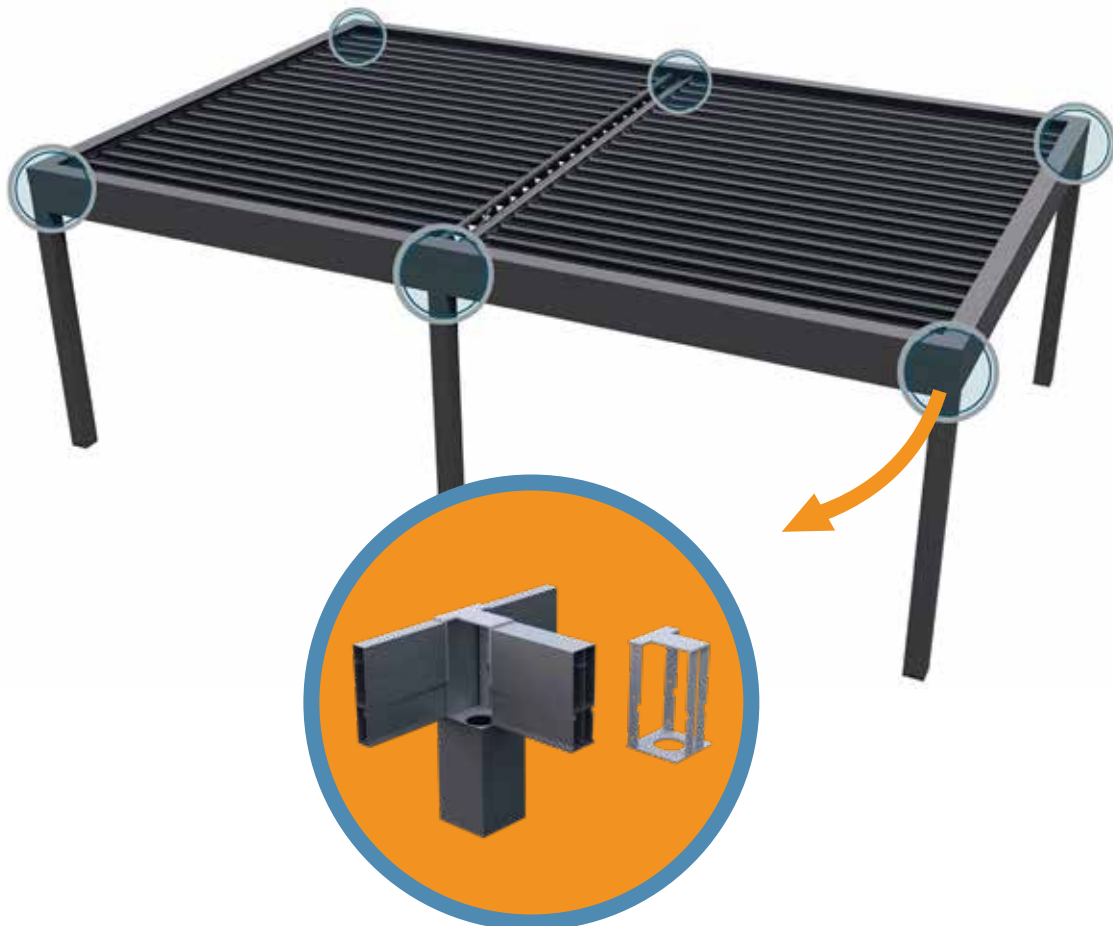
# Zero Slope Retractable Roof

[www.teknal.com.tr](http://www.teknal.com.tr)



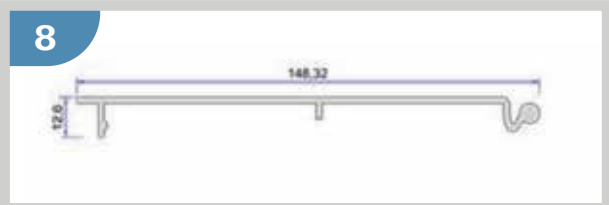
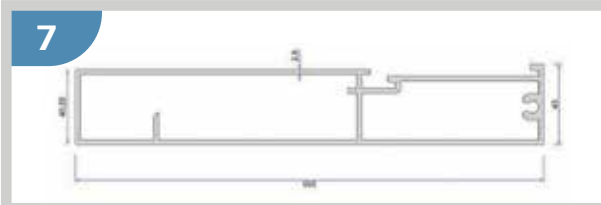
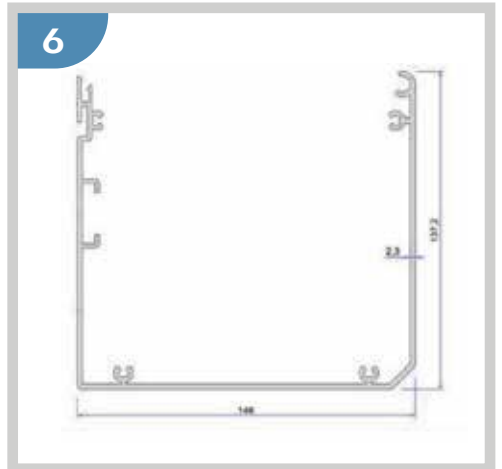
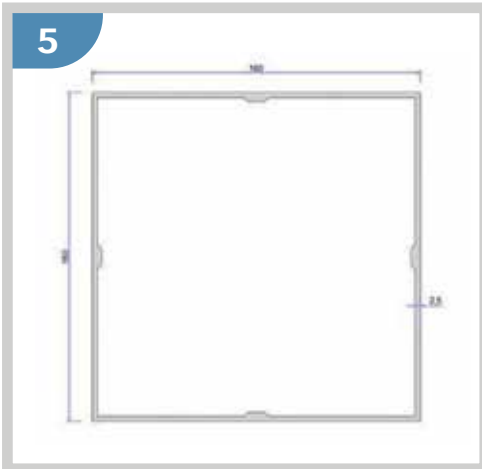
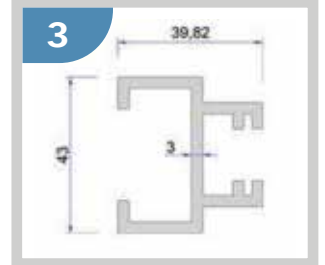
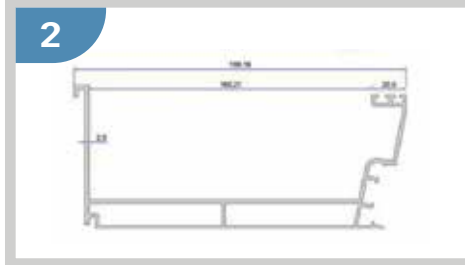
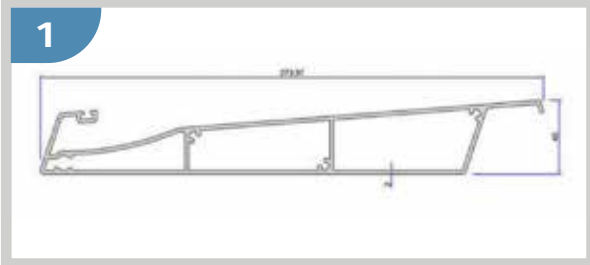
# Zero Slope Retractable Roof

[www.tekna1.com.tr](http://www.tekna1.com.tr)



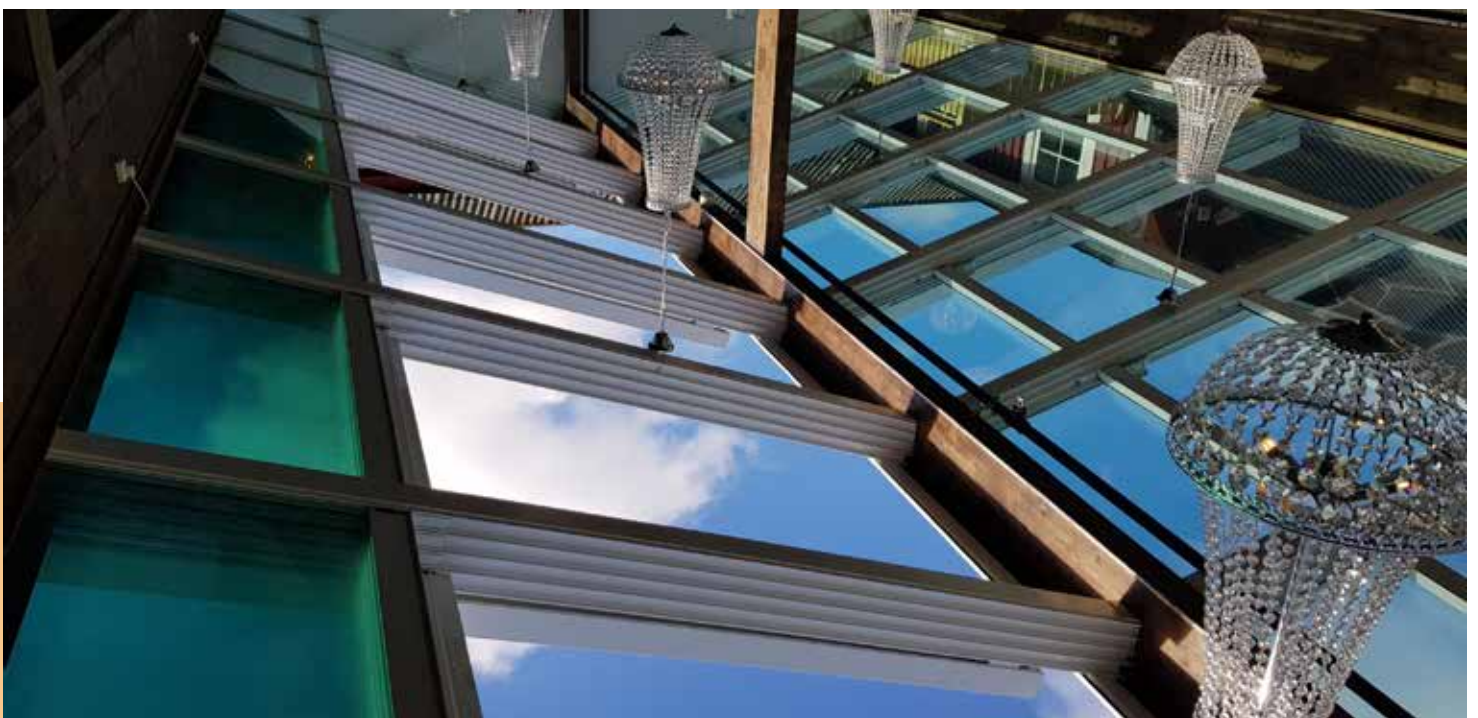
# Zero Slope Retractable Roof

[www.tekna.com.tr](http://www.tekna.com.tr)



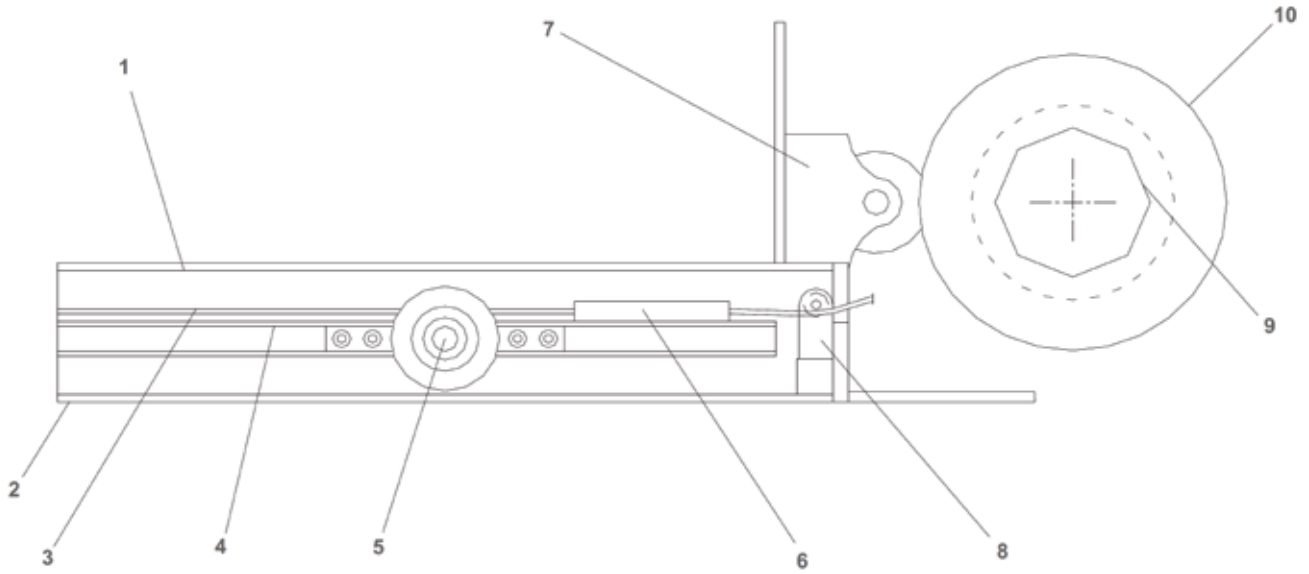
# Sliding Glass Roof System

[www.teknal.com.tr](http://www.teknal.com.tr)

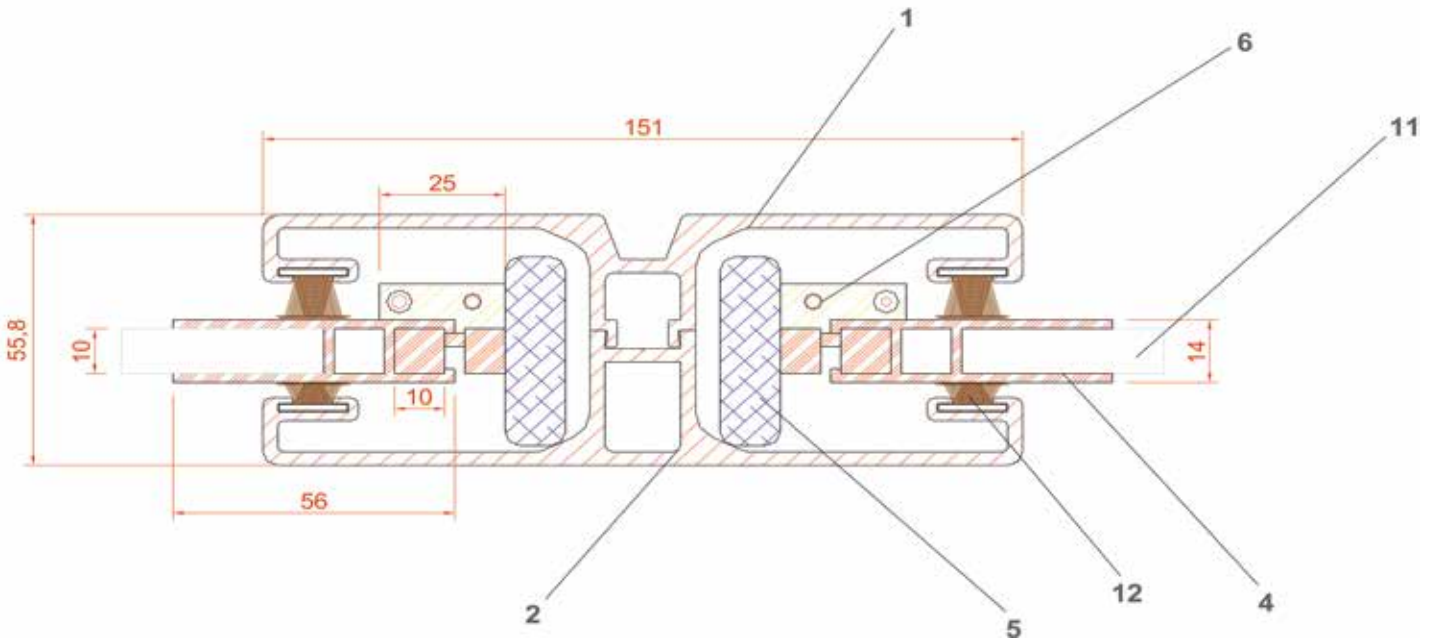


# Sliding Glass Roof System

www.tekna.com.tr

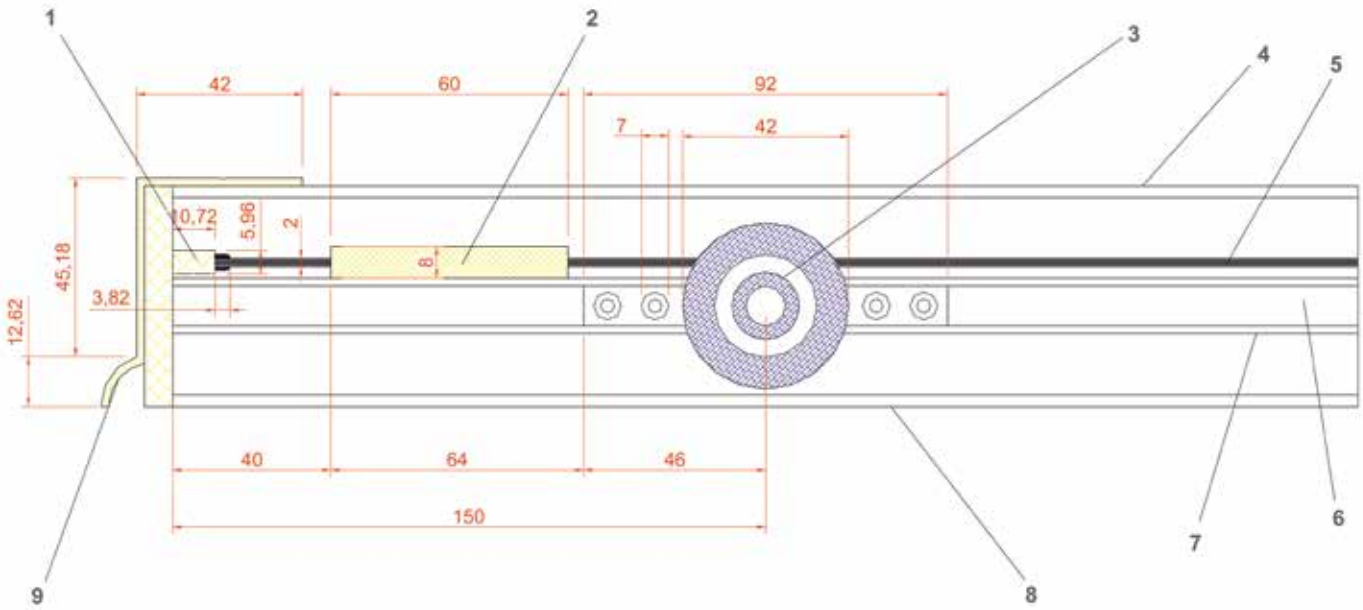


No	Code	Weight	Porfile Name	No	Code	Weight	Porfile Name
1	3172	2315 gr / m	Lower Case Upper Parts	7	7021	-	Stretching Pipe Blocker
2	3173	2364 gr / m	Lower Case Upper Parts	8	7014	-	Lower Rear Cover 4 Roller
3	7010	-	Steel Wire	9	7003	-	Motor Pipe
4	3466	743 gr / m	Flat Wing	10	7004	-	Pulley
5	7013	-	Wheel	11	-	-	Lamenedated Glass 5+5
6	7012	-	Upper Parts Holder Wire	12	7020	-	Pile Weatherstrip

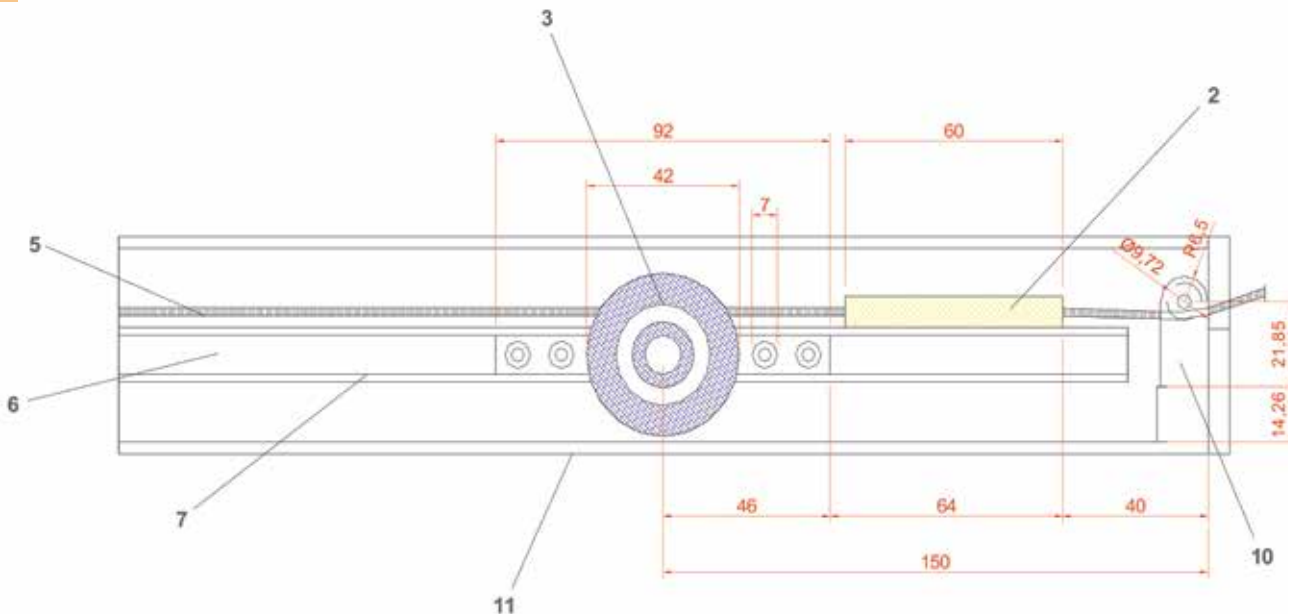


# Sliding Glass Roof System

www.teknal.com.tr



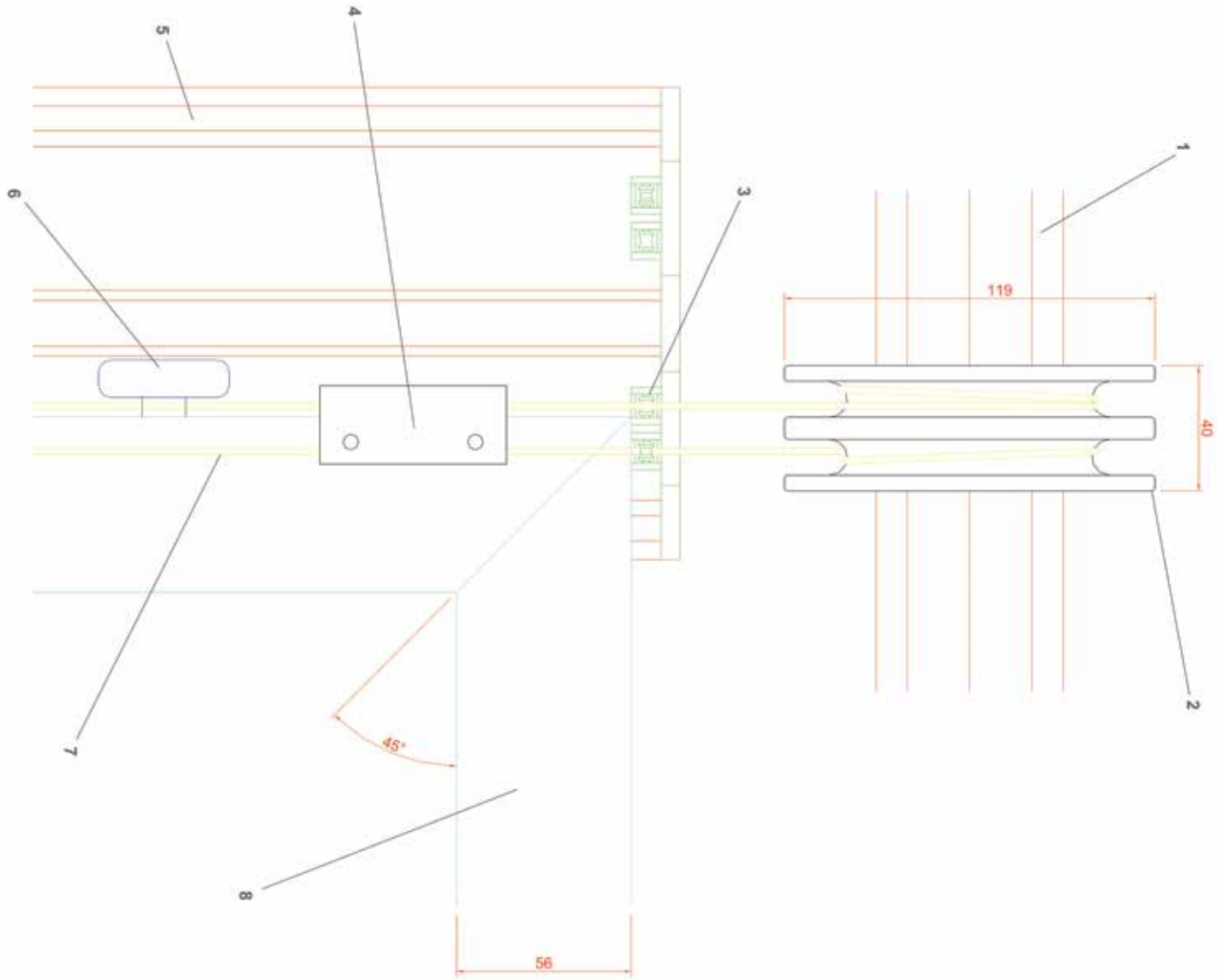
No	Code	Weight	Porfile Name
1	7015	-	Lower Front Cover (2 Roller)
2	7012	-	Lower Wing Holder Wire
3	7013	-	Wheel
4	3172	2312 gr / m	Lower Case Upper Parts
5	7010	-	Steel Wire
6	-	-	Laminated Glass 5 + 5
7	3466	743 gr / m	Flat Wing
8	3173	2364 gr / m	Lower Case Lower Parts





# Sliding Glass Roof System

www.teknal.com.tr



No	Code	Weight	Porfile Name
1	7003	-	Motor Pipe
2	7004	-	Pulley
3	7014	-	Lower Rear Cover (4 Roller)
4	7012	-	Upper Wing Holder Wire
5	3173	2364 gr / m	Lower Case Lower Parts
6	7013	-	Wheel
7	7010	-	Steel Wire
8	3466	743 gr / m	Flat Wing

# Fixed Glass Ceiling Systems

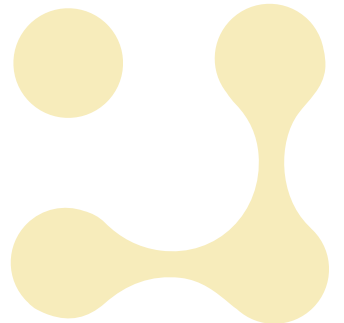
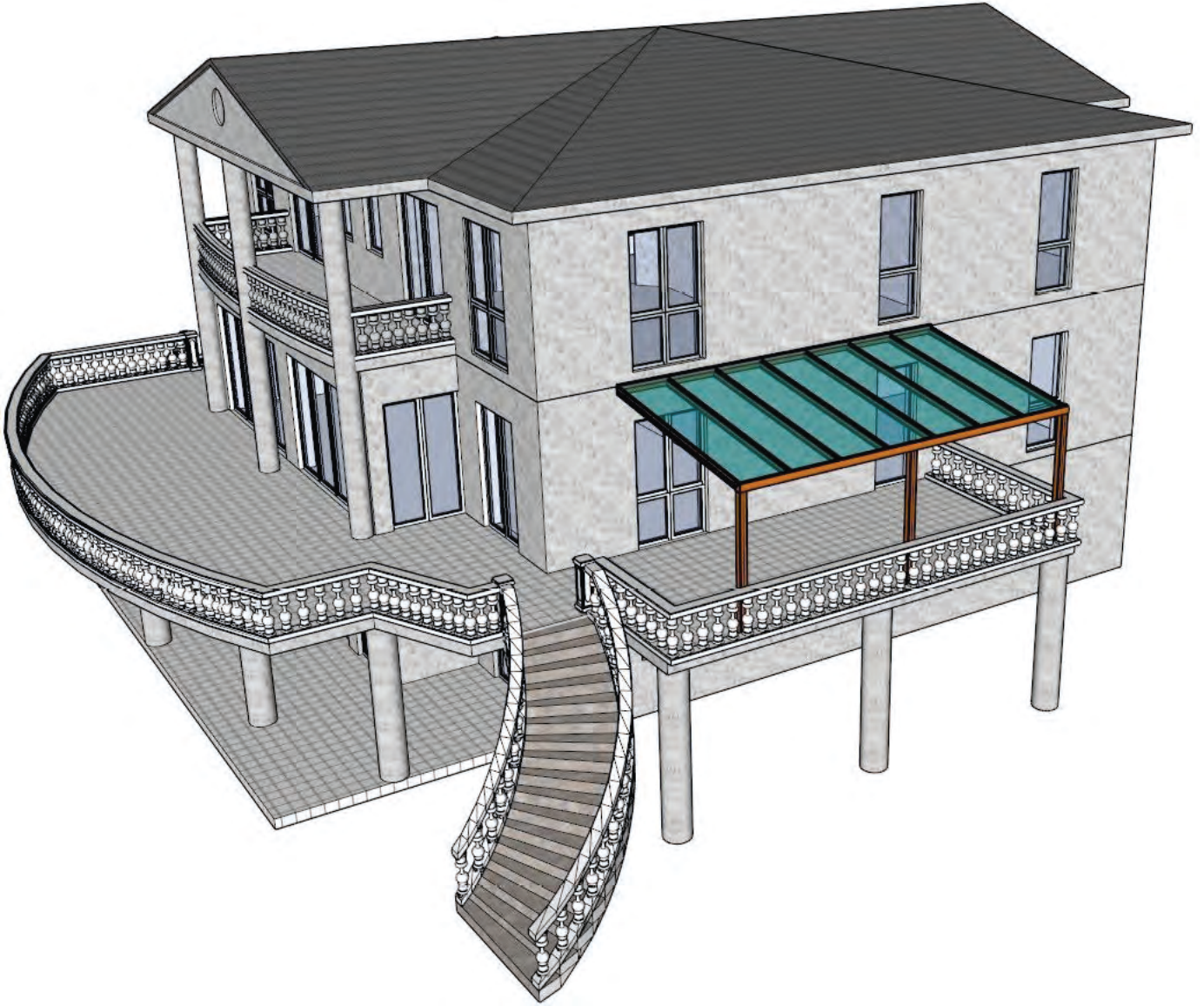
[www.tekna1.com.tr](http://www.tekna1.com.tr)

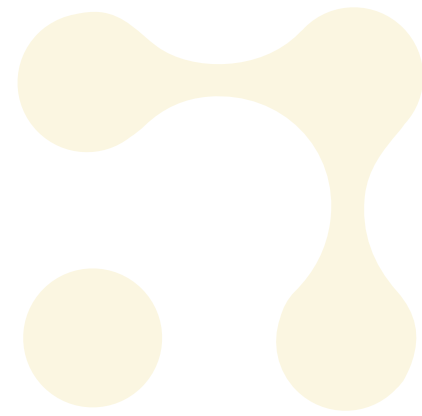
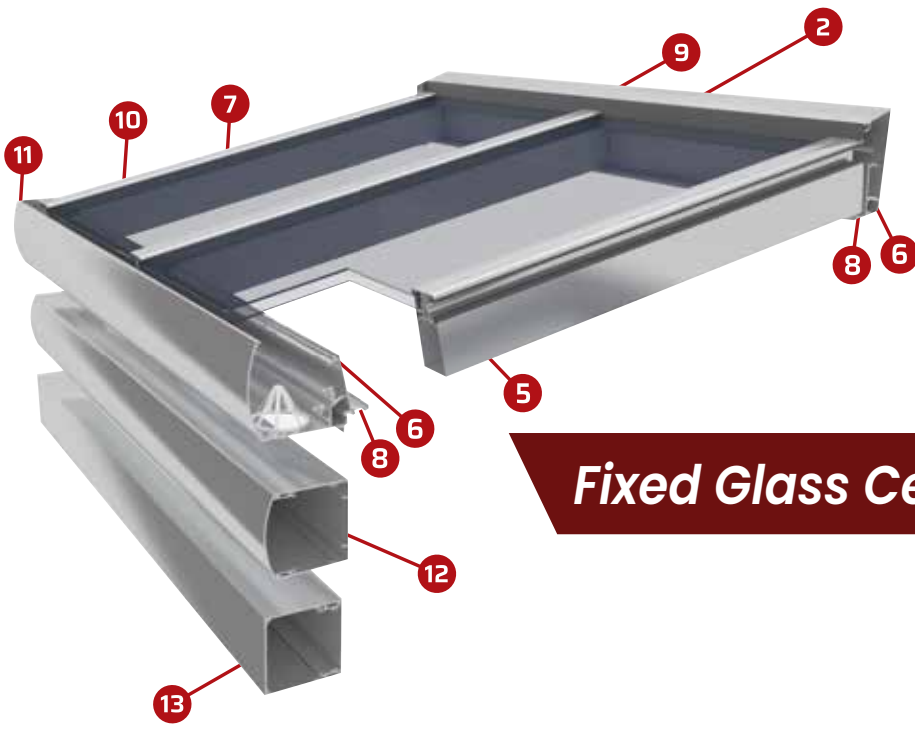


TEKNA1

# Fixed Glass Ceiling Systems

[www.tekna1.com.tr](http://www.tekna1.com.tr)





## Fixed Glass Ceiling Systems

[www.tekna.com.tr](http://www.tekna.com.tr)

6



Angle Profile

7



Side Cover Profile

8



Angle Cover Profile

9



Middle Cover Profile

10



Polycarbon Profile

11



Eco Groove Profile

12



Eco Foot Profile



Spotlight

13



Eco Foot Cover Profile



Filter



Anchorage



F Profile



Groove Cover



Horizontal Connection



Groove Dilatation

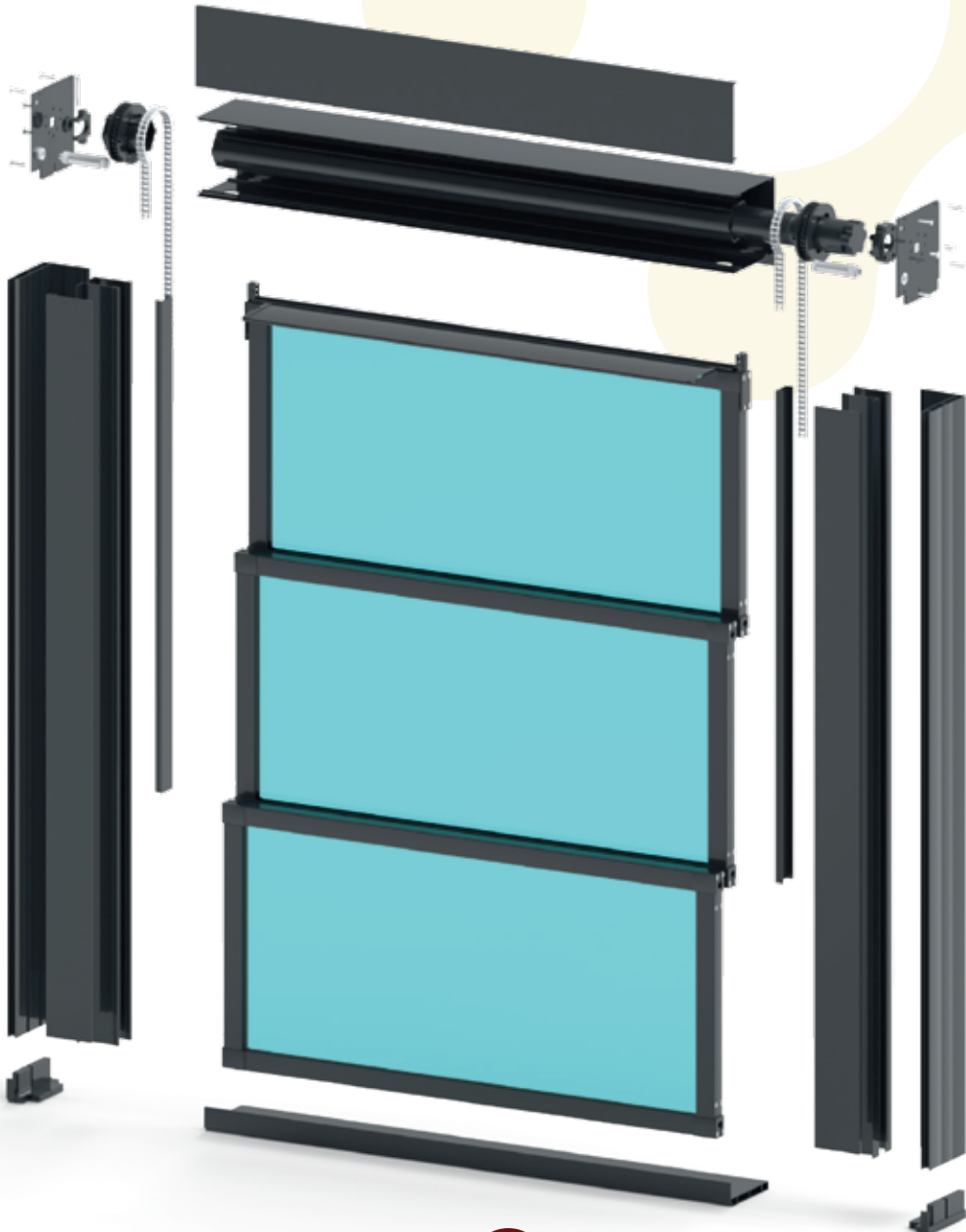
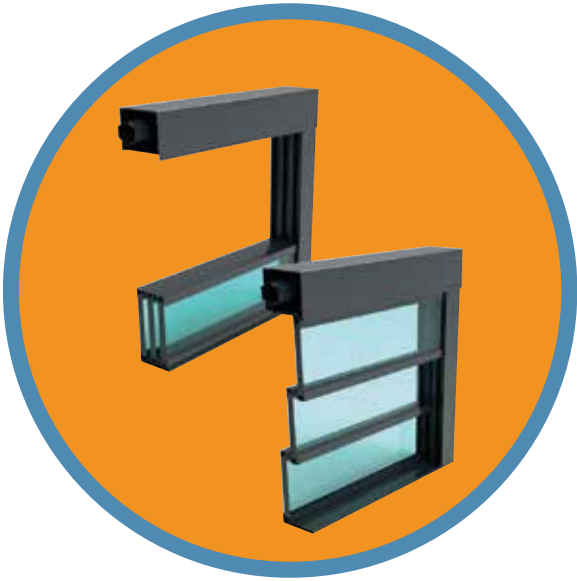
# Guillotine Systems

[www.tekna1.com.tr](http://www.tekna1.com.tr)



# Guillotine Systems

[www.teknal.com.tr](http://www.teknal.com.tr)



# Guillotine Systems

www.tekna1.com.tr



Tüp Motor Kapağı Lazer Parçası  
Tube Engine Cover Laser Part

Proforma Nr : GYT-001

used : 2 pieces



Alt Baza Profil Parçası  
Sub - Base And Side Profile Connection Part

Proforma Nr : GYT-002

used : 2 pieces



Köşe Kapak  
Plastic Side Cover

Proforma Nr : GYT-003

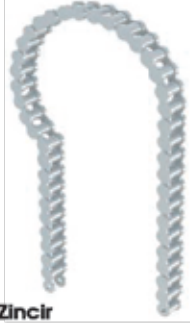
used : 2 pieces



Zincir Dişil  
Sprocket

Proforma Nr : GYT-004

used : 2 pieces



Zincir  
Chain

Proforma Nr : GYT-005

used : 5 Metre



Zincir Bağlantı Aparatı  
Chain Connection

Proforma Nr : GYT-006

used : 2 pieces



Köşe Takozu  
Glass Corner Connection

Proforma Nr : GYT-007

used : 12 pieces



Boru Başı Takımı  
Engine Pipe Set

Proforma Nr : GYT-008

used : 1 pieces



Triger Kayış Bağlantı Aparatları  
Timing Belt Connection Apparatus

Proforma Nr : GYT-009

used : 4 pieces



Triger Kayışı  
Belt For Guillotine

Proforma Nr : GYT-010

1 Top : 100 mt.  
1 Roll : 100 mt.



Motor Aparatı  
Engine and Pipe  
Connection Parts

Proforma Nr : GYT-011

used : 1 pieces



Küçük EPDM  
Thin Gasket

Proforma Nr : GYT-012

1 Top : 300 mt.  
1 Roll : 300 mt.



Büyük EPDM  
Thick Gasket

Proforma Nr : GYT-013

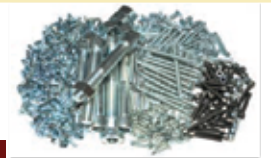
1 Top : 75 mt.  
1 Roll : 75 mt.



Kıl Fırça  
Strip Brush

Proforma Nr : GYT-014

1 Top : 250 mt.  
1 Roll : 250 mt.



Vida Grubu  
Screw Set

Proforma Nr : GYT-015

used : 1 set

# Aluminium Folding Systems

[www.teknal.com.tr](http://www.teknal.com.tr)



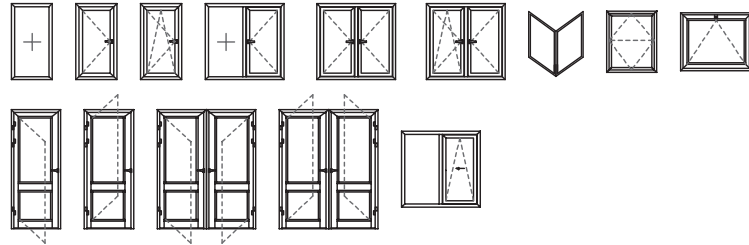


# Aluminium Door & Window Systems

www.tekna.com.tr

## MD55 Uninsulated Door & Window System

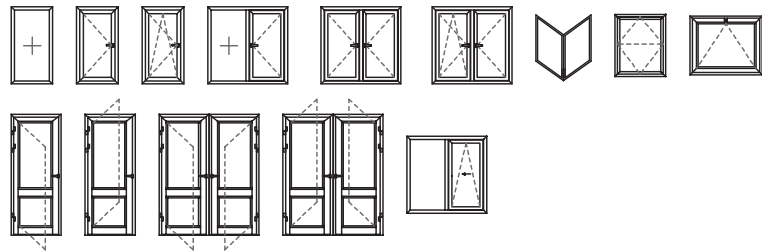
WD55, a non-heat insulated door and window system, offers alternative frame profiles with narrow and wide options.



<b>Frame Width</b>	55-60 mm	<b>Air Permability</b>	Class 4 (600 Pa)	<b>Inward Opening Sash</b>	✓
<b>Sash Width</b>	63,5 mm	<b>Water Tightness</b>	Class 9A (600 Pa)	<b>Outward Opening Sash</b>	✓
<b>Thermal Break</b>	-	<b>Wind Resistance</b>	Class C3 (1200 Pa)	<b>Tilt and Turn Opening</b>	✓
<b>Profile Wall Thickness</b>	1,3 - 2 mm	<b>Min. Thermal Insulation</b>	Uw: 6,2-6,7 W/(m <sup>2</sup> .K)	<b>Transom Opening</b>	✓
<b>Min. Glazing Thickness</b>	4 mm			<b>Double Sash Opening</b>	✓
<b>Max. Glazing Thickness</b>	36 mm			<b>Pivot Opening</b>	✓
<b>Min. Sash Dimensions</b>	350 x 500 mm				
<b>Max. Sash Dimensions</b>	1300 x 2800 mm				
<b>Max. Sash Weight</b>	130 kg				

## MD55T Thermo Door & Window System

The WD55T door and window system draws attention with its non-combustible heat barrier options.



<b>Frame Width</b>	55-64,5 mm	<b>Air Permability</b>	Class 4 (600 Pa)	<b>Inward Opening Sash</b>	✓
<b>Sash Width</b>	63,5-73 mm	<b>Water Tightness</b>	Class 9A (600 Pa)	<b>Outward Opening Sash</b>	✓
<b>Thermal Break</b>	15 mm	<b>Wind Resistance</b>	Class C3 (1200 Pa)	<b>Tilt and Turn Opening</b>	✓
<b>Profile Wall Thickness</b>	1,3-2 mm	<b>Min. Thermal Insulation</b>	Uw: 2,7-3,7 W/(m <sup>2</sup> .K)	<b>Transom Opening</b>	✓
<b>Min. Glazing Thickness</b>	4 mm			<b>Double Sash Opening</b>	✓
<b>Max. Glazing Thickness</b>	36 mm			<b>Pivot Opening</b>	✓
<b>Min. Sash Dimensions</b>	350 x 500 mm				
<b>Max. Sash Dimensions</b>	1300 x 2800 mm				
<b>Max. Sash Weight</b>	130 kg				

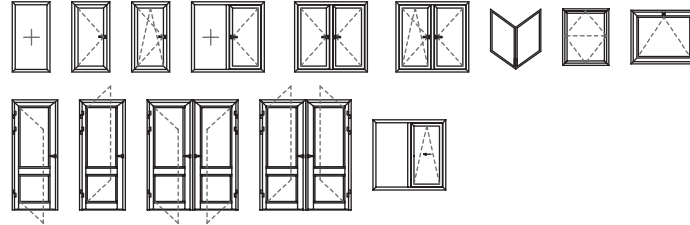
# Aluminium Door & Window Systems

www.tekna.com.tr



## MD64T Thermo Door & Window System

WD64T Door and Window system with high wind resistance; does not prevent condensation. It complies with fire regulations. It has an aesthetic appearance.

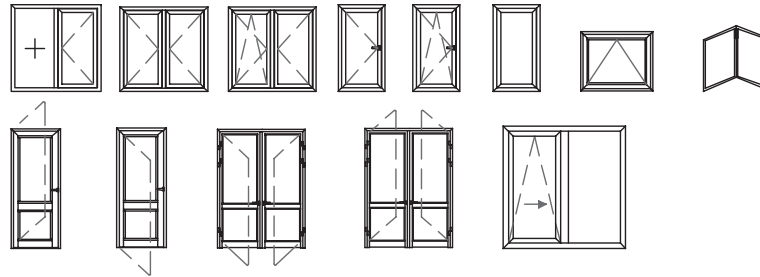


<b>Frame Width</b>	64-73,5 mm	<b>Air Permeability</b>	Class 4 (600 Pa)	<b>Inward Opening Sash</b>	✓
<b>Sash Width</b>	72,5 mm	<b>Water Tightness</b>	Class 9A (600 Pa)	<b>Outward Opening Sash</b>	✓
<b>Thermal Break</b>	24 mm	<b>Wind Resistance</b>	Class C3 (1200 Pa)	<b>Tilt and Turn Opening</b>	✓
<b>Profile Wall Thickness</b>	1,3-2 mm	<b>Min. Thermal Insulation</b>	Uf: 2,0-2,7 W/(m <sup>2</sup> .K)	<b>Transom Opening</b>	✓
<b>Min. Glazing Thickness</b>	10 mm			<b>Double Sash Opening</b>	✓
<b>Max. Glazing Thickness</b>	40 mm			<b>Pivot Opening</b>	✓
<b>Min. Sash Dimensions</b>	350 x 600 mm				
<b>Max. Sash Dimensions</b>	1300 x 2800 mm				
<b>Max. Sash Weight</b>	130 kg				



## MD70T Thermo Door & Window System

Door and window system that has the feature of resistance to cold climate.



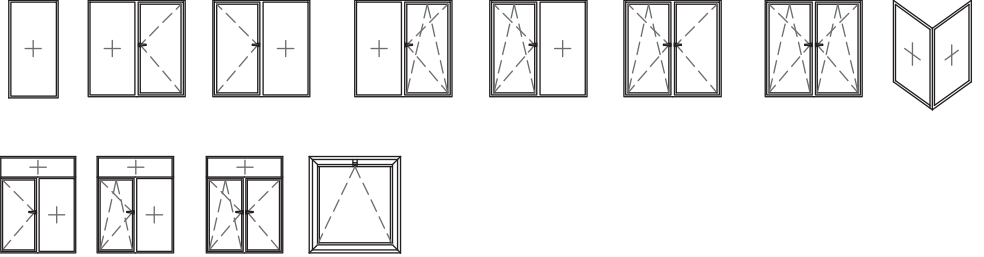
<b>Frame Width</b>	70-80,5 mm	<b>Air Permeability</b>	Class 3 (600 Pa)	<b>Inward Opening Sash</b>	✓
<b>Sash Width</b>	77,5 mm	<b>Water Tightness</b>	Class 9A (600 Pa)	<b>Outward Opening Sash</b>	✓
<b>Thermal Break</b>	24 mm	<b>Wind Resistance</b>	Class C3 (1200 Pa)	<b>Tilt and Turn Opening</b>	✓
<b>Profile Wall Thickness</b>	1,5-2 mm	<b>Min. Thermal Insulation</b>	Uf: 1,8-2,1 W/(m <sup>2</sup> .K)	<b>Transom Opening</b>	✓
<b>Min. Glazing Thickness</b>	16 mm			<b>Double Sash Opening</b>	✓
<b>Max. Glazing Thickness</b>	45 mm			<b>Pivot Opening</b>	✗
<b>Min. Sash Dimensions</b>	350 x 700 mm				
<b>Max. Sash Dimensions</b>	1300 x 2800 mm				
<b>Max. Sash Weight</b>	130 kg				

# Aluminium Door & Window Systems

www.tekna.com.tr

## MVT67 Hidden Vent Door & Window System

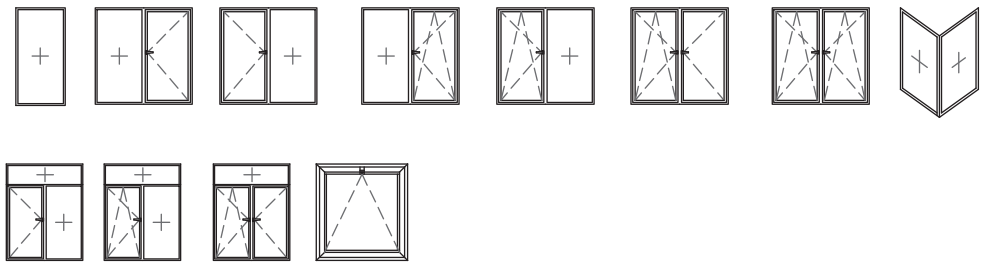
It provides sash application possibility which is invisible from the outside.



Frame Width	67 mm	Air Permability	Class 4 (600 Pa)	Inward Opening Sash	✓
Sash Width	69 mm	Water Tightness	Class 9A (600 Pa)	Outward Opening Sash	✗
Thermal Break	24 mm	Wind Resistance	Class C4 (1800 Pa)	Tilt and Turn Opening	✓
Profile Wall Thickness	2 mm	Min. Thermal Insulation	Uf: 2,20-2,37 W/(m <sup>2</sup> .K)	Transom Opening	✓
Min. Glazing Thickness	14 mm			Double Sash Opening	✓
Max. Glazing Thickness	26 mm			Pivot Opening	✓
Min. Sash Dimensions	350 x 700 mm				
Max. Sash Dimensions	1300 x 2800 mm				
Max. Sash Weight	130 kg				

## MVT77 Hidden Vent Door & Window System

It provides sash application possibility which is invisible from the outside.

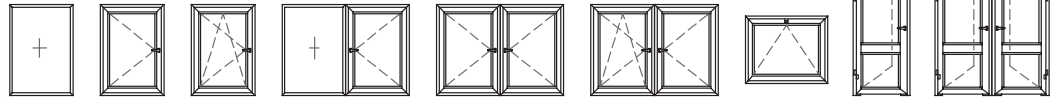


Frame Width	77 mm	Air Permability	Class 4 (600 Pa)	Inward Opening Sash	✓
Sash Width	78,5 mm	Water Tightness	Class 9A (600 Pa)	Outward Opening Sash	✗
Thermal Break	34 mm	Wind Resistance	Class C4 (1800 Pa)	Tilt and Turn Opening	✓
Profile Wall Thickness	2 mm	Min. Thermal Insulation	Uf: 1,8-2,08 W/(m <sup>2</sup> .K)	Transom Opening	✓
Min. Glazing Thickness	24 mm			Double Sash Opening	✓
Max. Glazing Thickness	36 mm			Pivot Opening	✓
Min. Sash Dimensions	350 x 700 mm				
Max. Sash Dimensions	1300 x 2800 mm				
Max. Sash Weight	130 kg				

## MD86T Thermo Door & Window System



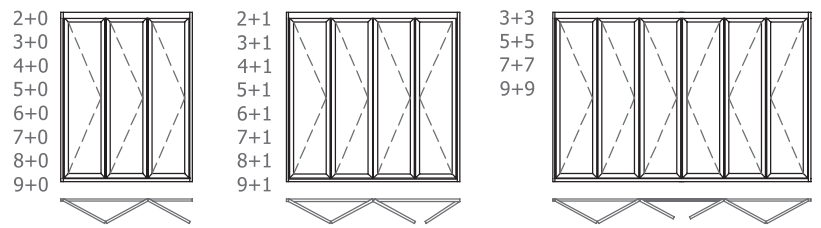
- Inward and outward opening options
- Very high air, sound and thermal insulation values
- Symmetrical sash and frame options
- Screwed and vertical mullion connections
- Ability to use mullions in sashes
- Frames and sashes can be bent for arch applications



<b>Frame Width</b>	86 mm	<b>Air Permability</b>	Class 4 - 600 Pa	<b>Inward Opening Sash</b>	✓
<b>Sash Width</b>	86 mm	<b>Water Tightness</b>	Class 9A - 600 Pa	<b>Outward Opening Sash</b>	✓
<b>Thermal Break</b>	34 mm	<b>Wind Resistance</b>	Class C4 - 1800 Pa	<b>Tilt and Turn Opening</b>	✓
<b>Profile Wall Thickness</b>	2-3 mm	<b>Min. Thermal Insulation Uf: 1,8 - 2,27 W/(m<sup>2</sup>.K)</b>		<b>Transom Opening</b>	✓
<b>Min. Glazing Thickness</b>	26 mm			<b>Double Sash Opening</b>	✓
<b>Max. Glazing Thickness</b>	56 mm			<b>Pivot Opening</b>	✗
<b>Min. Sash Dimensions</b>	350 x 700 mm				
<b>Max. Sash Dimensions</b>	1300 x 2800 mm				
<b>Max. Sash Weight</b>	130 kg				

## MFD60T Bi-Folding Door System

Combining minimal aesthetics with design, the insulated FD60T bi-folding door system offers smooth performance and long-lasting functionality.



<b>Frame Width</b>	60 mm	<b>Air Permability</b>	Nt	<b>Sash Bi-folding Door</b>	✓
<b>Sash Width</b>	60 mm	<b>Water Tightness</b>	Nt	<b>Sash Bi-folding Door</b>	✓
<b>Thermal Break</b>	15-20 mm	<b>Wind Resistance</b>	Nt	<b>Rotation Bi-folding Door</b>	✓
<b>Profile Wall Thickness</b>	1,5-2,5 mm	<b>Min. Thermal Insulation Uf: 3,27 W/(m<sup>2</sup>.K)</b>			
<b>Min. Glazing Thickness</b>	4 mm				
<b>Max. Glazing Thickness</b>	36 mm				
<b>Min. Sash Dimensions</b>	600 x 900 mm				
<b>Max. Sash Dimensions</b>	900 x 2500 mm				
<b>Max. Sash Weight</b>	80 kg				

# Aluminium Sliding Systems

[www.tekna1.com.tr](http://www.tekna1.com.tr)

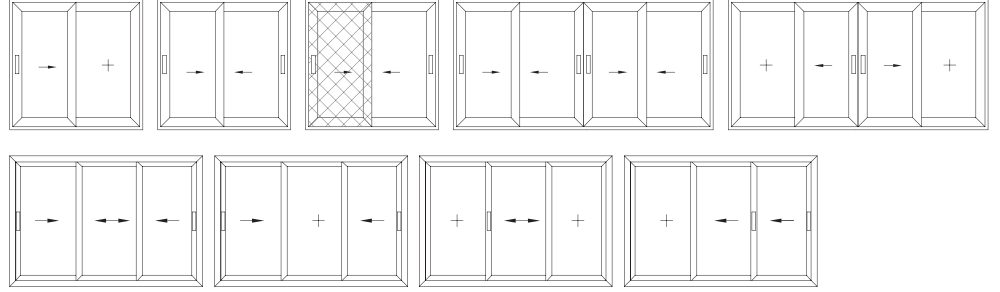


# Aluminium Sliding Systems

www.tekna.com.tr



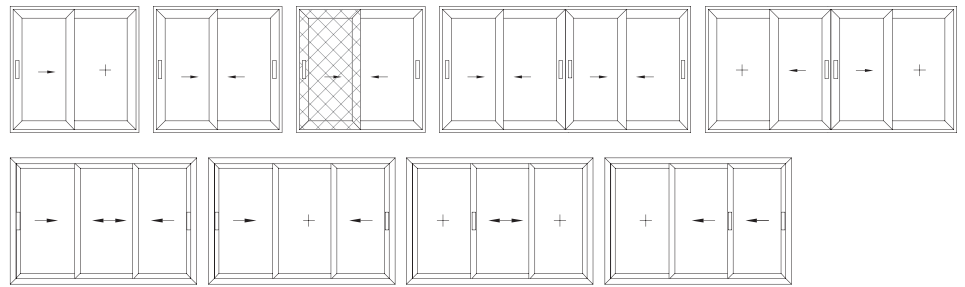
## MS28 Uninsulated Sliding System



<b>Frame Depth</b>	45,5 - 82 mm	<b>Air Permability</b>	-	<b>Sash Connection of 90°</b>	<input type="checkbox"/>
<b>Sash Depth</b>	28 mm	<b>Water Tightness</b>	-	<b>Sash Connection of 45°</b>	<input checked="" type="checkbox"/>
<b>Interlocking Depth</b>	64,5 mm	<b>Wind Resistance</b>	-	<b>Sash With Glazing Bead</b>	<input type="checkbox"/>
<b>Profile Wall Thickness</b>	1,1 - 1,3 mm	<b>Min. Thermal Insulation</b>	-	<b>Sash Without Glazing Bead</b>	<input checked="" type="checkbox"/>
<b>Thermal Break</b>	-			<b>Insect Screen Application</b>	<input checked="" type="checkbox"/>
<b>Min. Glazing Thickness</b>	4 mm				
<b>Max. Glazing Thickness</b>	20 mm				
<b>Min. Sash Dimensions</b>	600 x 1000 mm				
<b>Max. Sash Dimensions</b>	1200 x 2200 mm				
<b>Max. Sash Weight</b>	75 kg				



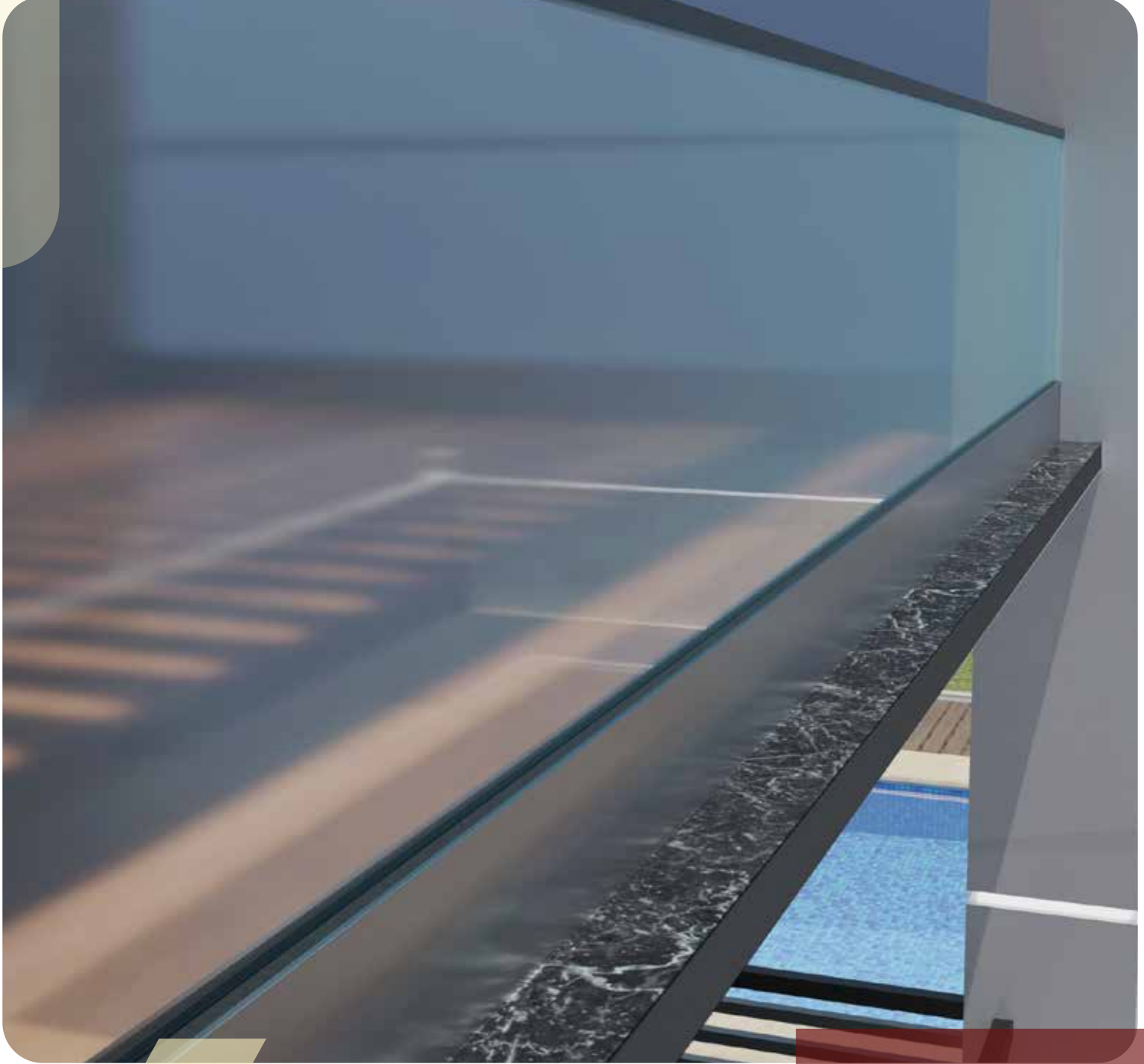
## MS32 Uninsulated Sliding System



<b>Frame Depth</b>	59,5 - 100 mm	<b>Air Permability</b>	-	<b>Sash Connection of 90°</b>	<input type="checkbox"/>
<b>Sash Depth</b>	32 mm	<b>Water Tightness</b>	-	<b>Sash Connection of 45°</b>	<input checked="" type="checkbox"/>
<b>Interlocking Depth</b>	72 mm	<b>Wind Resistance</b>	-	<b>Sash With Glazing Bead</b>	<input type="checkbox"/>
<b>Profile Wall Thickness</b>	1,3 mm	<b>Min. Thermal Insulation</b>	-	<b>Sash Without Glazing Bead</b>	<input checked="" type="checkbox"/>
<b>Thermal Break</b>	-			<b>Insect Screen Application</b>	<input checked="" type="checkbox"/>
<b>Min. Glazing Thickness</b>	4 mm				
<b>Max. Glazing Thickness</b>	20 mm				
<b>Min. Sash Dimensions</b>	600 x 1000 mm				
<b>Max. Sash Dimensions</b>	1200 x 2200 mm				
<b>Max. Sash Weight</b>	75 kg				

# Glass Channel Systems

[www.tekna1.com.tr](http://www.tekna1.com.tr)



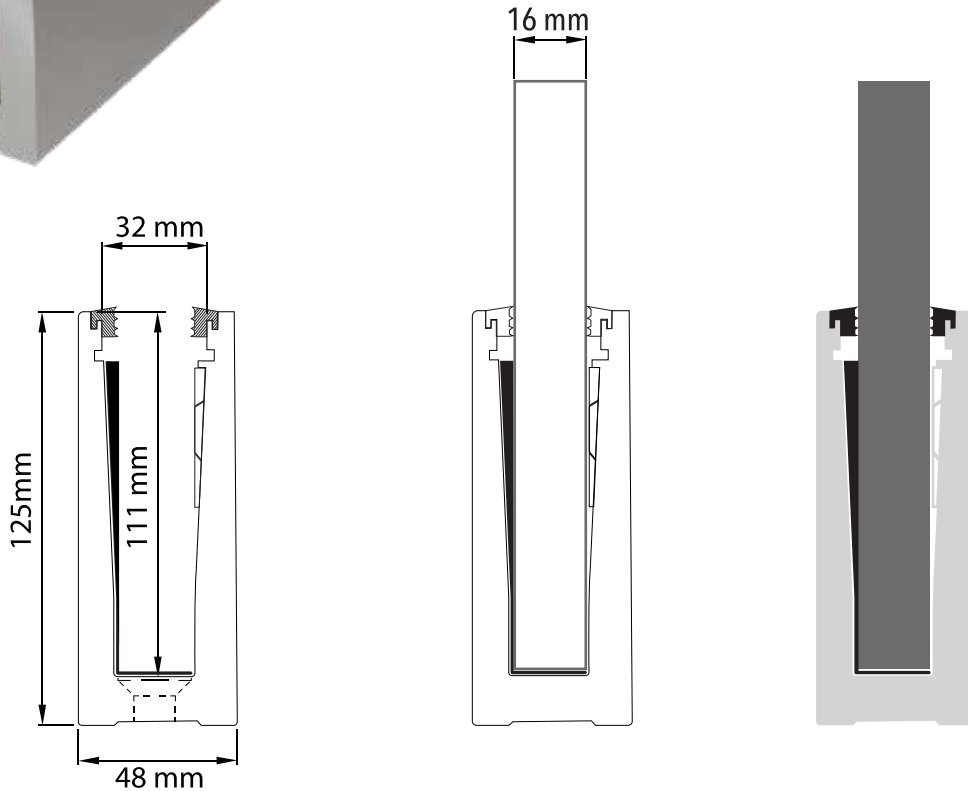
# Glass Channel Systems

[www.tekna1.com.tr](http://www.tekna1.com.tr)

■ TK 10-02

Cam Yüksekliği : 110cm (max.)  
Cam Kalınlığı : 6+6+0,76/1,52

Glass Height : 110cm (max.)  
With Glass : 6+6+0,76/1,52





# Glass Channel Systems

[www.tekna1.com.tr](http://www.tekna1.com.tr)



# Glass Channel Systems

[www.tekna.com.tr](http://www.tekna.com.tr)

## TK 10-03

Cam Yüksekliği : 110cm (max.)

Cam Kalınlığı : 8+8+0,76/1,52

Parçalar halinde kullanılabilir(15cm/30cm)

Kapaklarda renk seçenekleri mevcuttur.

**Sertifikalı Onaylı Ürün**

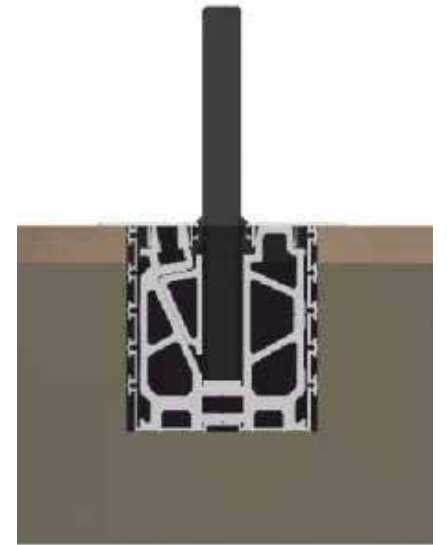
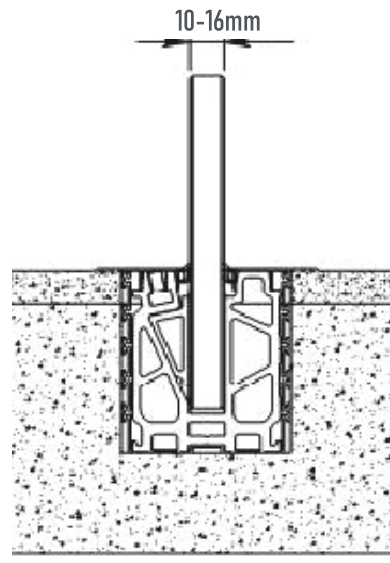
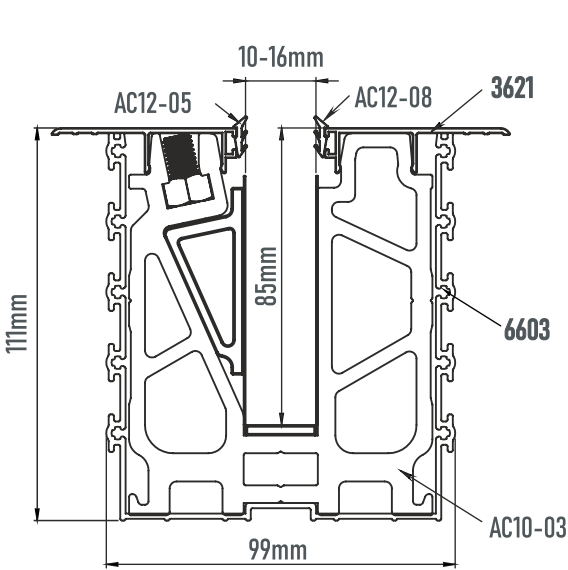
Glass Height : 110cm (max.)

With Glass : 8+8+0,76/1,52

Availability for partial using (15cm/30cm)

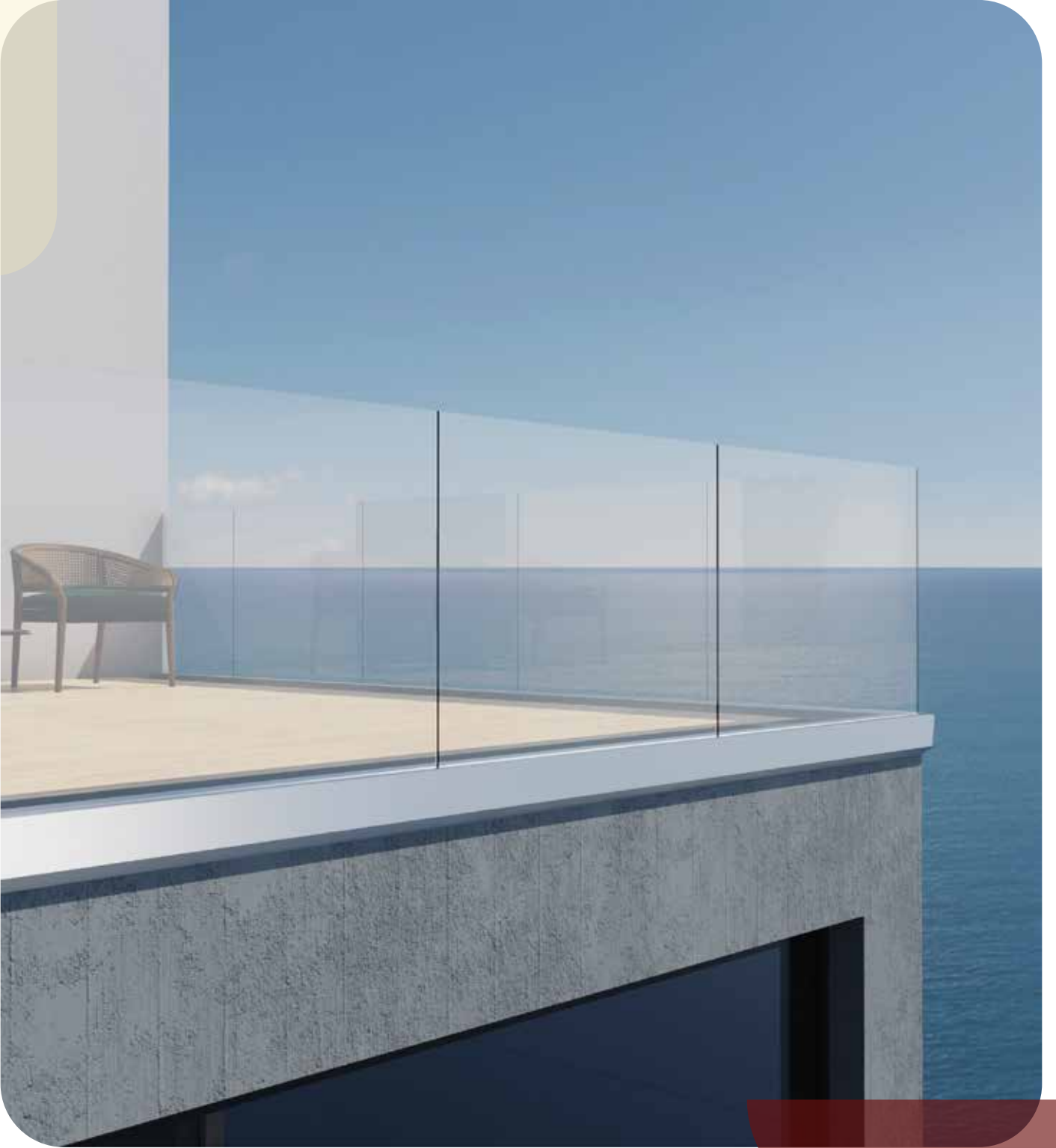
There are options of color for the covers.

**Certificated System**



# Glass Channel Systems

[www.tekna1.com.tr](http://www.tekna1.com.tr)



# Glass Channel Systems

[www.tekna1.com.tr](http://www.tekna1.com.tr)

## ■ TK 10-10/A

Cam Yüksekliği : 110cm (max.)

Cam Kalınlığı : 10+10+0,76/1,52

Parçalar halinde kullanılabilir(15cm/20cm)

Kapaklarda renk seçenekleri mevcuttur.

**Sertifikalı Onaylı Ürün**

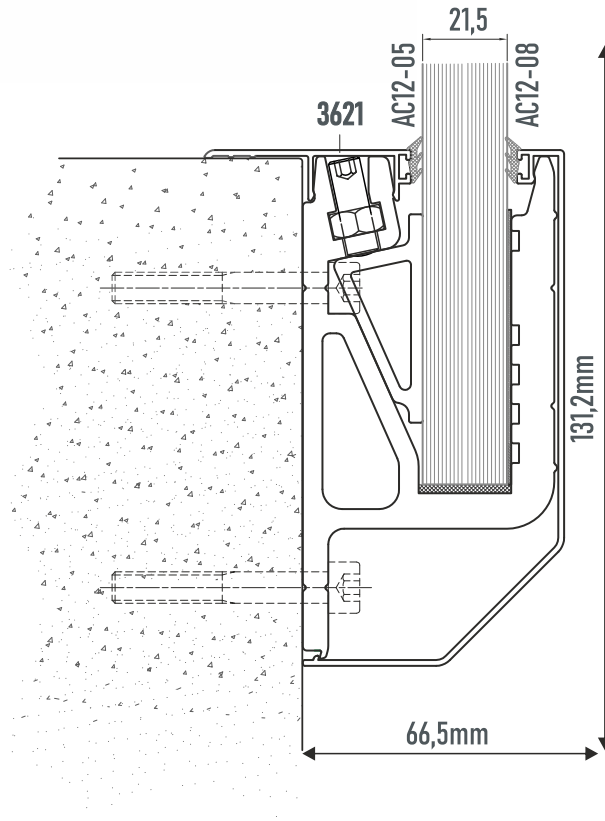
Glass Height : 110cm (max.)

With Glass : 10+10+0,76/1,52

Availability for partial using (15cm/20cm)

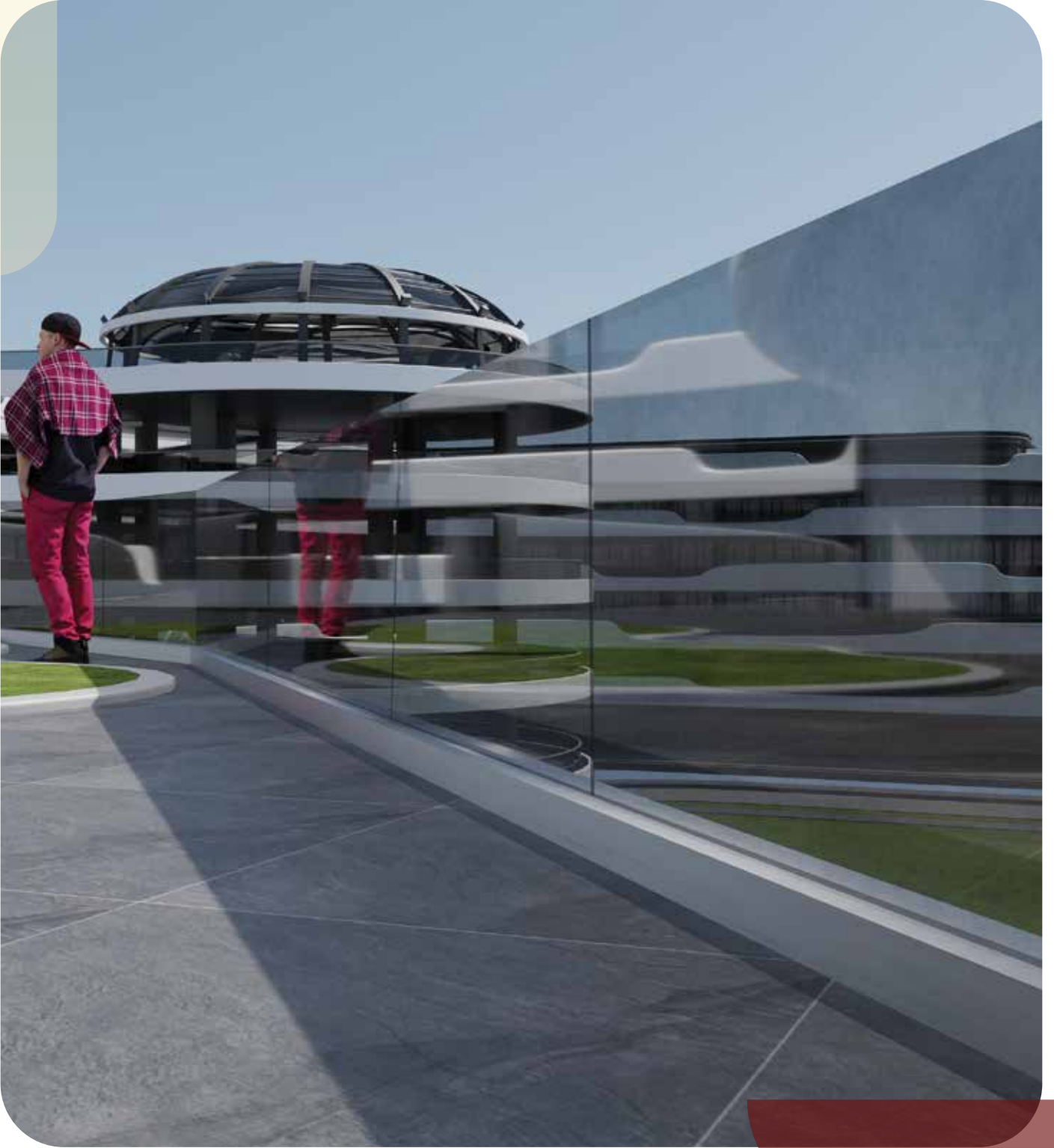
There are options of color for the covers.

**Certificated System**



# Glass Channel Systems

[www.tekna1.com.tr](http://www.tekna1.com.tr)



# Glass Channel Systems

www.tekna.com.tr



## TK 10-01

Cam Yüksekliği : 110cm (max.)

Cam Kalınlığı : 8+8+0,76/1,52

Parçalar halinde kullanılabilir(15cm/30cm)

Kapaklarda renk seçenekleri mevcuttur.

**Sertifikalı Onaylı Ürün**

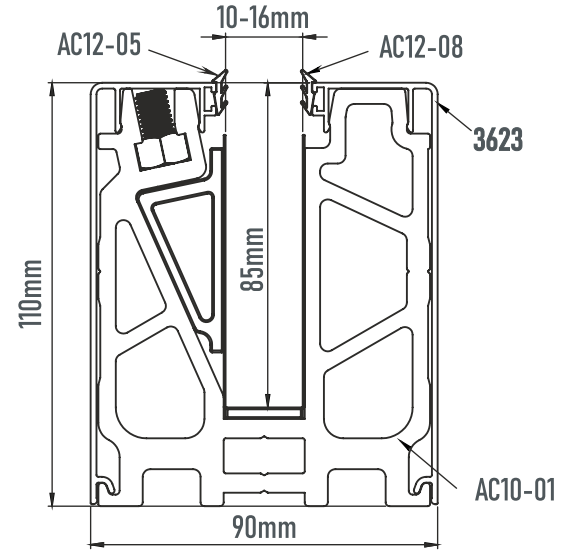
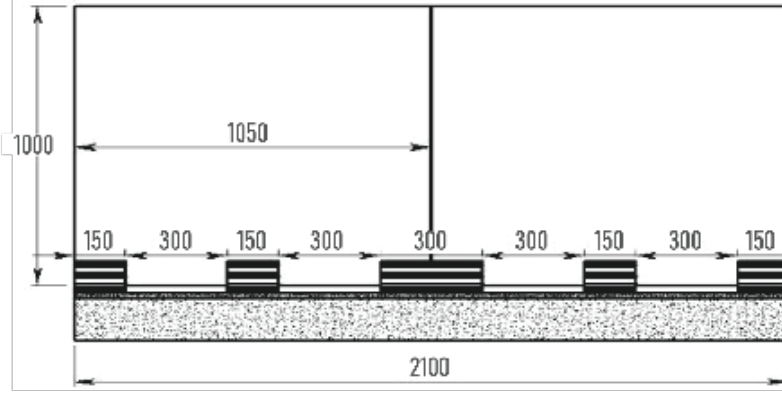
Glass Height : 110cm (max.)

With Glass : 8+8+0,76/1,52

Availability for partial using (15cm/30cm)

There are options of color for the covers.

**Certificated System**



## TK 10-12/A

Cam Yüksekliği : 110cm (max.)

Cam Kalınlığı : 10+10+0,76/1,52

Parçalar halinde kullanılabilir(15cm/20cm)

Kapaklarda renk seçenekleri mevcuttur.

**Sertifikalı Onaylı Ürün**

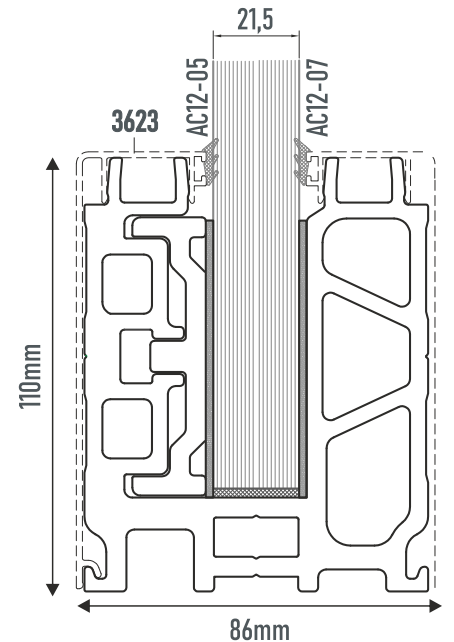
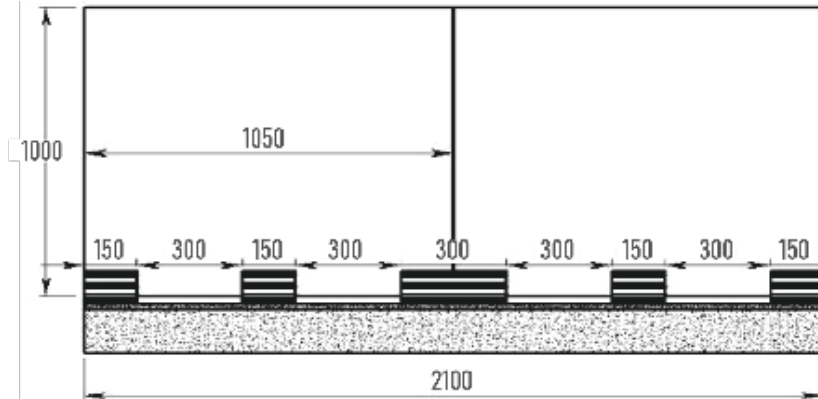
Glass Height : 110cm (max.)

With Glass : 10+10+0,76/1,52

Availability for partial using (15cm/20cm)

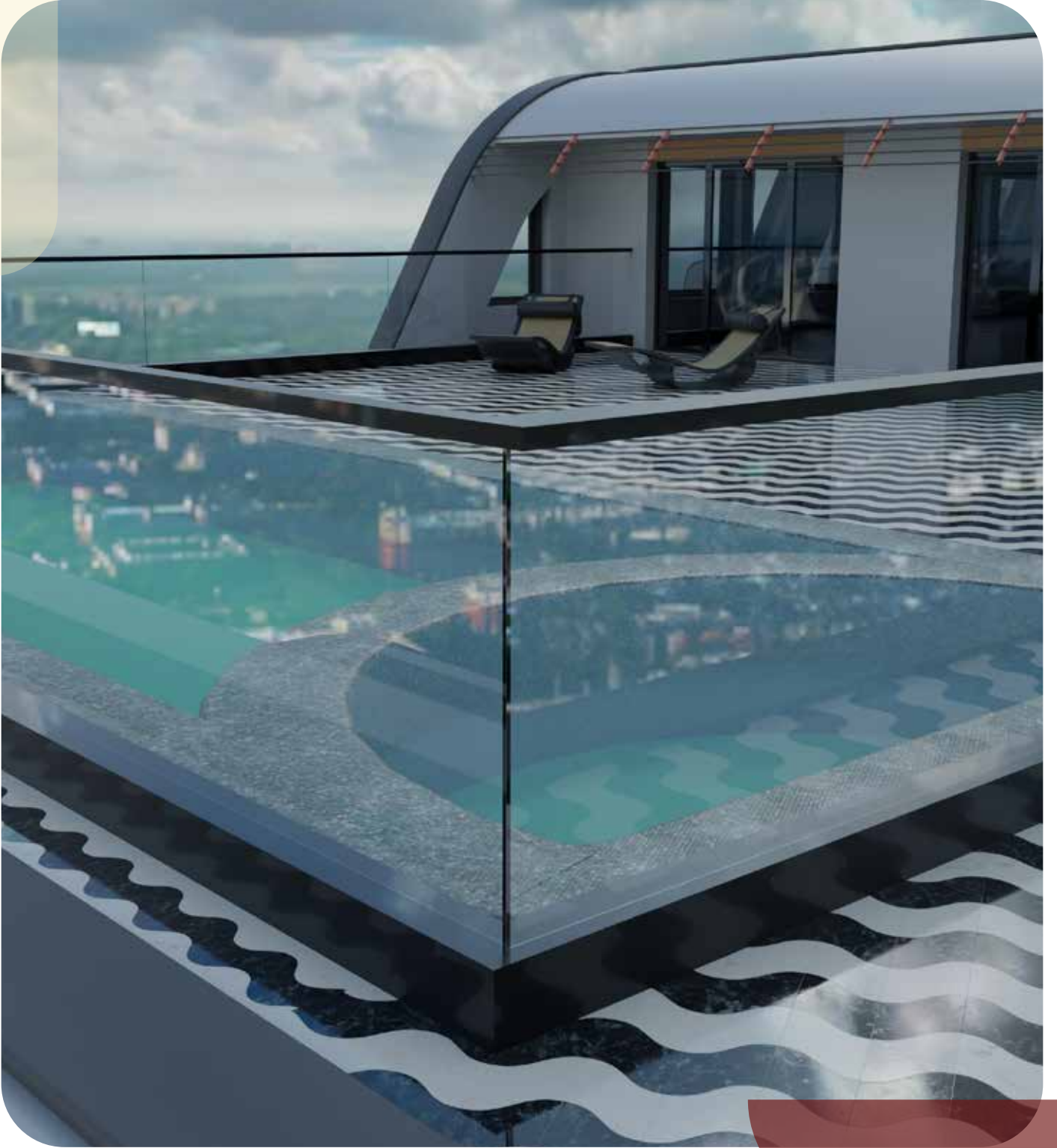
There are options of color for the covers.

**Certificated System**



# Glass Channel Systems

[www.tekna1.com.tr](http://www.tekna1.com.tr)



# Glass Channel Systems

www.tekna.com.tr

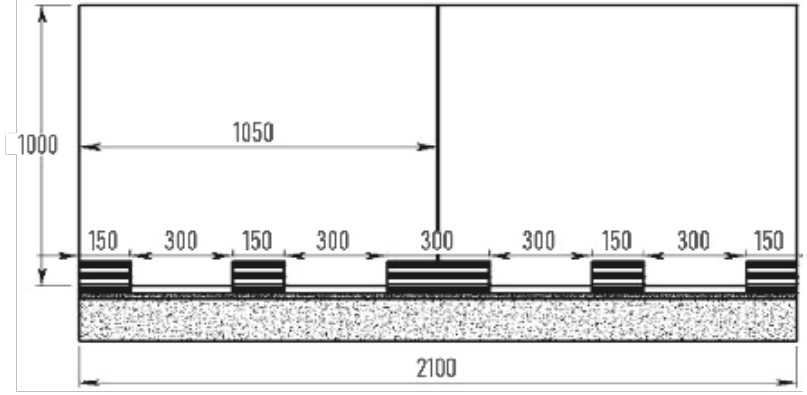
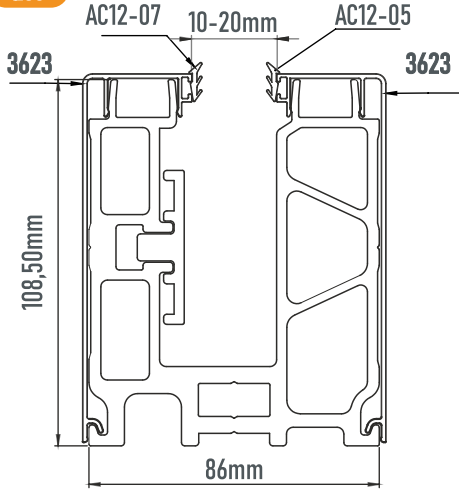


## TK 10-12/C

Cam Yüksekliği : 110cm (max.)  
Cam Kalınlığı : 10+10+0,76/1,52  
Parçalar halinde kullanılabilir(15cm/20cm)  
Kapaklarda renk seçenekleri mevcuttur.  
**Sertifikalı Onaylı Ürün**

Glass Height : 110cm (max.)  
With Glass : 10+10+0,76/1,52  
Availability for partial using (15cm/20cm)  
There are options of color for the covers.  
**Certificated System**

Eco

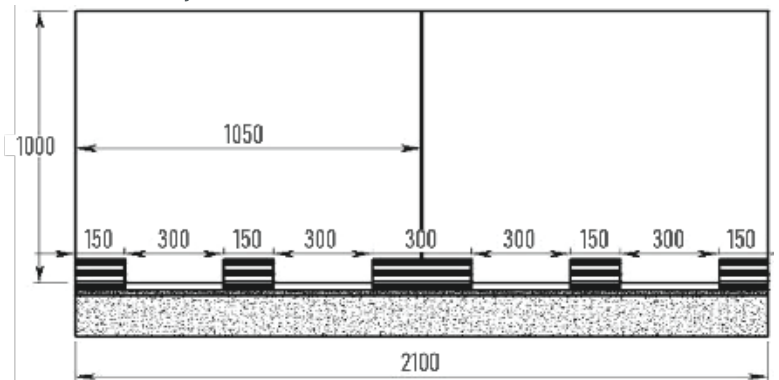
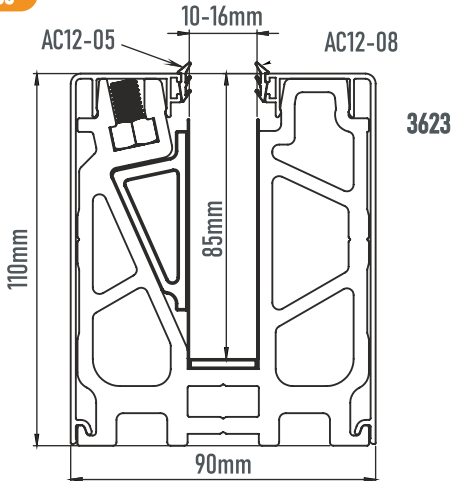


## TK 10-01/A

Cam Yüksekliği : 110cm (max.)  
Cam Kalınlığı : 8+8+0,76/1,52  
Parçalar halinde kullanılabilir(15cm/30cm)  
Kapaklarda renk seçenekleri mevcuttur.  
**Sertifikalı Onaylı Ürün**

Glass Height : 110cm (max.)  
With Glass : 8+8+0,76/1,52  
Availability for partial using (15cm/30cm)  
There are options of color for the covers.  
**Certificated System**

Eco





# Glass Channel Systems

[www.tekna1.com.tr](http://www.tekna1.com.tr)

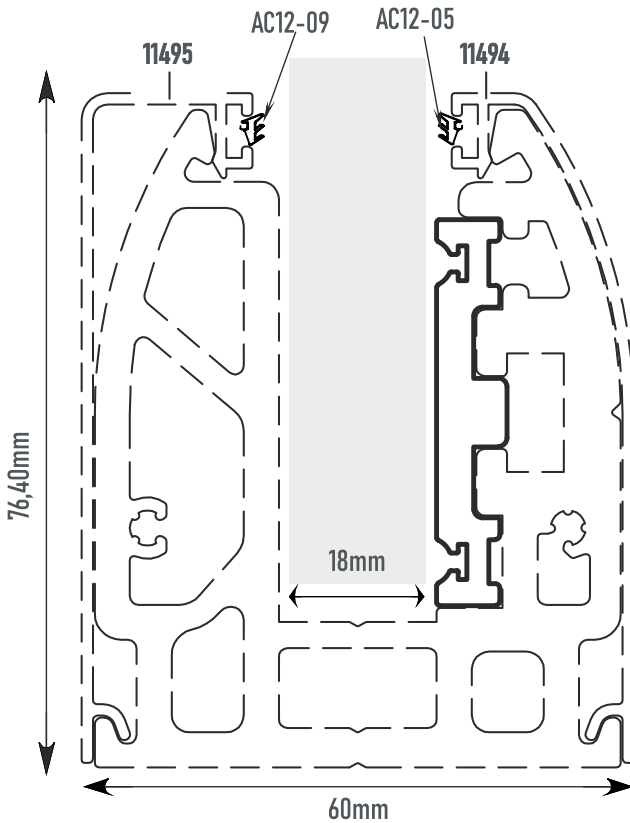


# Glass Channel Systems

www.tekna.com.tr



## ■ TK 10-13/A - AC10-13/C



Cam Yüksekliği : 100cm (max.)

Cam Kalınlığı : 6+6+0,76/1,52

Kapaklarda renk seçenekleri mevcuttur.

**Sertifikalı Onaylı Ürün**

Glass Height : 100cm (max.)

With Glass : 6+6+0,76/1,52

There are options of color for the covers.

**Certificated System**

# Glass Channel Systems

[www.tekna1.com.tr](http://www.tekna1.com.tr)



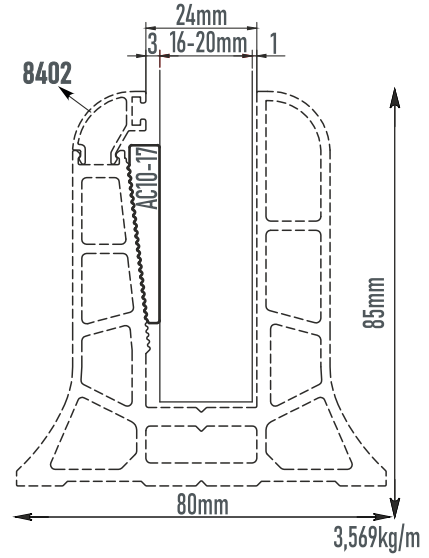
# Glass Channel Systems

[www.tekna1.com.tr](http://www.tekna1.com.tr)

## TK11-01

Cam Yüksekliği : 100cm (max.)  
Cam Kalınlığı : 8+8+0,76/1,52  
Sertifikalı Onaylı Ürün

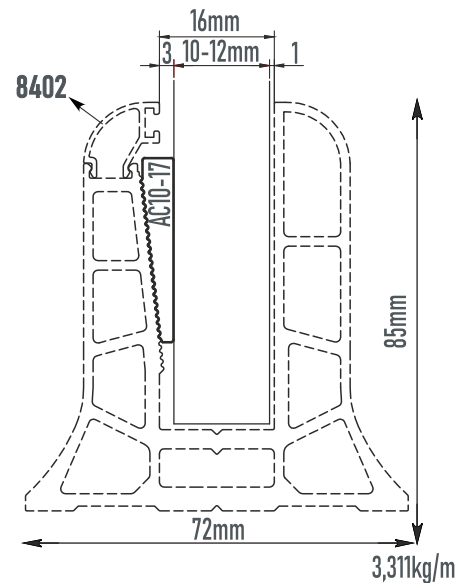
Glass Height : 100cm (max.)  
With Glass : 8+8+0,76/1,52  
Certificated System



## TK11-02

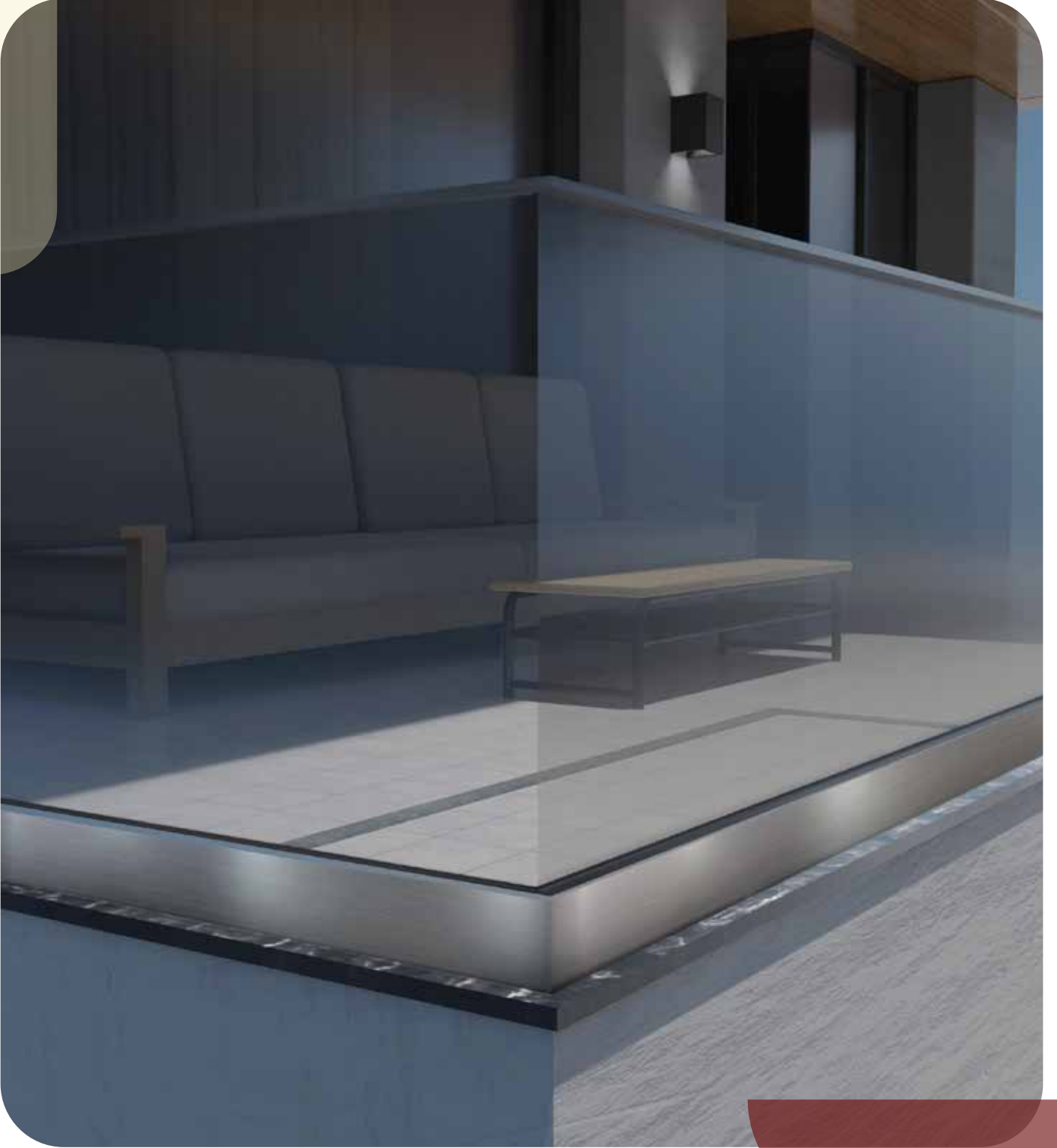
Cam Yüksekliği : 100cm (max.)  
Cam Kalınlığı : 6+6+0,76/1,52  
Sertifikalı Onaylı Ürün

Glass Height : 100cm (max.)  
With Glass : 6+6+0,76/1,52  
Certificated System



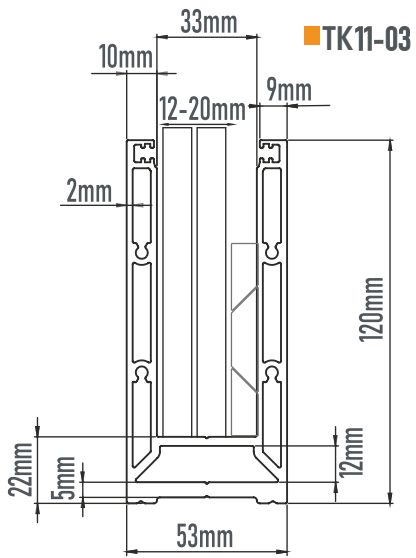
# *Glass Channel Systems*

[www.tekna1.com.tr](http://www.tekna1.com.tr)



# Glass Channel Systems

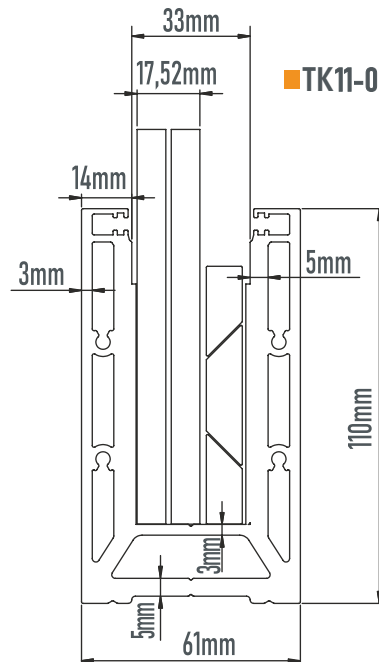
[www.tekna1.com.tr](http://www.tekna1.com.tr)



■TK11-03

Cam Yüksekliği : 100cm (max.)  
Cam Kalınlığı : 8+8+0,76/1,52  
Sertifikalı Onaylı Ürün

Glass Height : 100cm (max.)  
With Glass : 8+8+0,76/1,52  
Certificated System



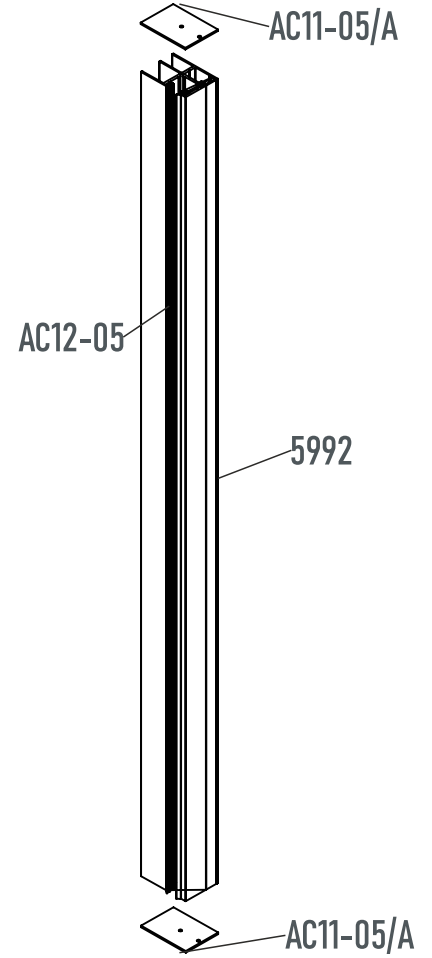
■TK11-04

Cam Yüksekliği : 100cm (max.)  
Cam Kalınlığı : 8+8+0,76/1,52  
Sertifikalı Onaylı Ürün

Glass Height : 100cm (max.)  
With Glass : 8+8+0,76/1,52  
Certificated System

# French Balcony System

[www.tekna1.com.tr](http://www.tekna1.com.tr)



## ■TK11-05 FRENCH BALCONY SYSTEM

Cam Yüksekliği : 100cm (max.)

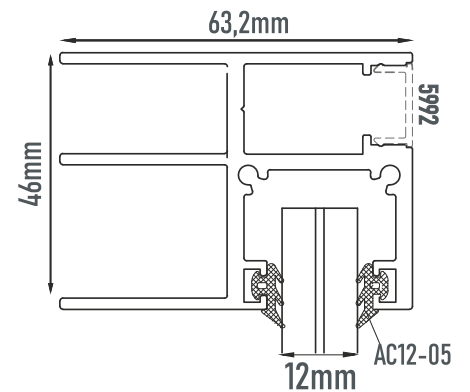
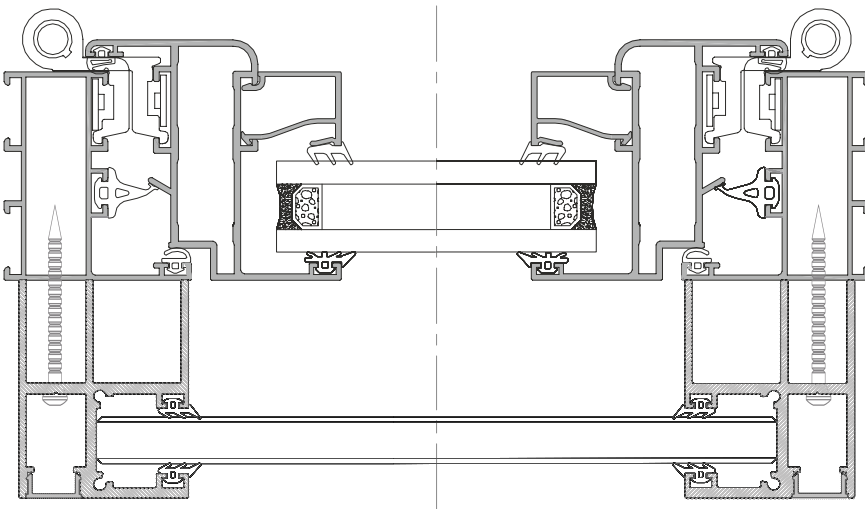
Cam Kalınlığı : 6+6+0,76/1,52

Sertifikalı Onaylı Ürün

Glass Height : 100cm (max.)

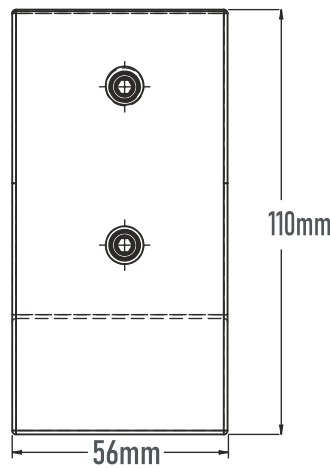
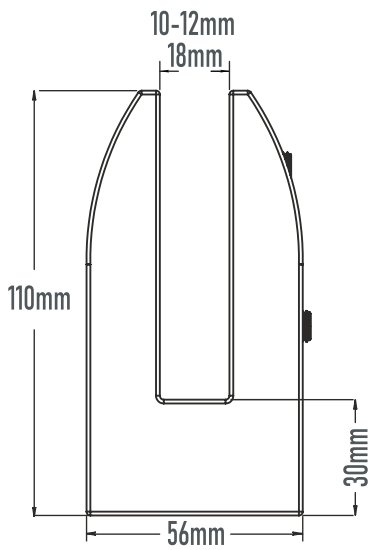
With Glass : 6+6+0,76/1,52

Certificated System



# Glass Channel Systems

[www.tekna1.com.tr](http://www.tekna1.com.tr)



■ TK10-09/A

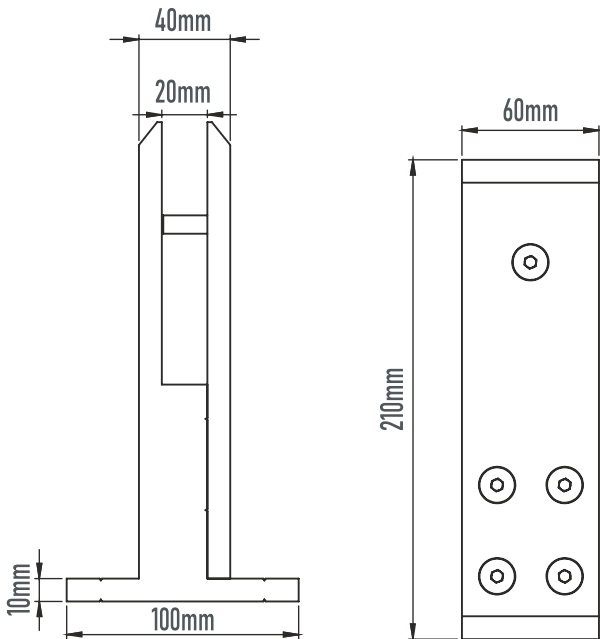
Cam Yüksekliği : 100cm (max.)  
Cam Kalınlığı : 6+6+0,76/1,52  
Sertifikalı Onaylı Ürün

Glass Height : 100cm (max.)  
With Glass : 6+6+0,76/1,52  
Certificated System



# Glass Channel Systems

[www.tekna1.com.tr](http://www.tekna1.com.tr)



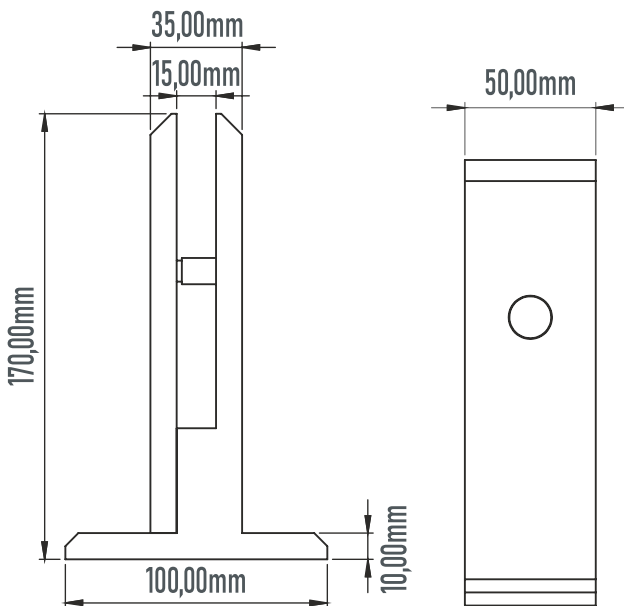
## TK10-24

Cam Yüksekliği : 100cm (max.)  
Cam Kalınlığı : 8+8+0,76/1,52  
Sertifikalı Onaylı Ürün

Glass Height : 100cm (max.)  
With Glass : 8+8+0,76/1,52  
Certificated System

# Glass Channel Systems

[www.tekna1.com.tr](http://www.tekna1.com.tr)



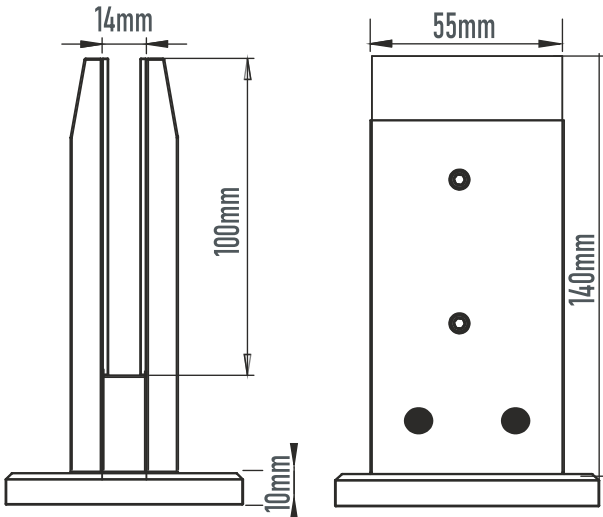
■ TK10-24/B

Cam Yüksekliği : 100cm (max.)  
Cam Kalınlığı : 6+6+0,76/1,52  
Sertifikalı Onaylı Ürün

Glass Height : 100cm (max.)  
With Glass : 6+6+0,76/1,52  
Certificated System

# Glass Channel Systems

[www.tekna1.com.tr](http://www.tekna1.com.tr)



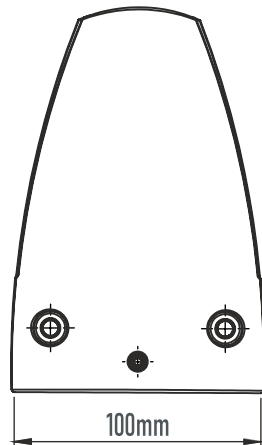
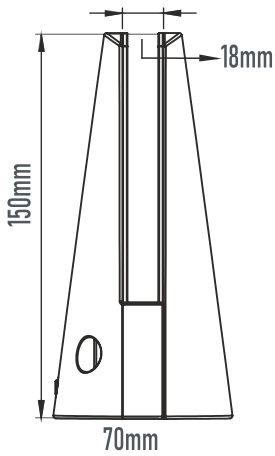
## TK10-23

Cam Yüksekliği : 100cm (max.)  
Cam Kalınlığı : 6+6+0,76/1,52  
Sertifikalı Onaylı Ürün

Glass Height : 100cm (max.)  
With Glass : 6+6+0,76/1,52  
Certificated System

# Glass Channel Systems

[www.tekna1.com.tr](http://www.tekna1.com.tr)



■ TK10-15

Cam Yüksekliği : 100cm (max.)

Cam Kalınlığı : 8+8+0,76/1,52

Sertifikalı Onaylı Ürün

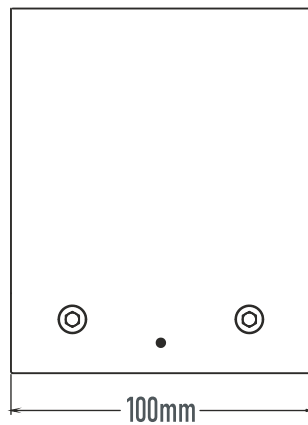
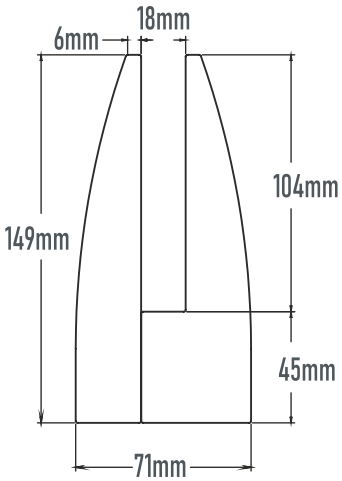
Glass Height : 100cm (max.)

With Glass : 8+8+0,76/1,52

Certificated System

# Glass Channel Systems

[www.tekna1.com.tr](http://www.tekna1.com.tr)



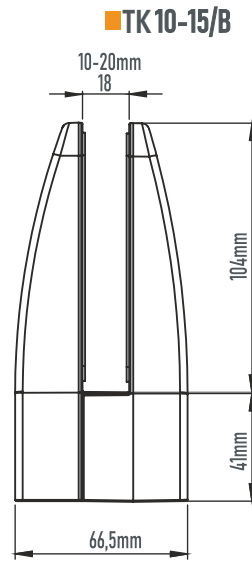
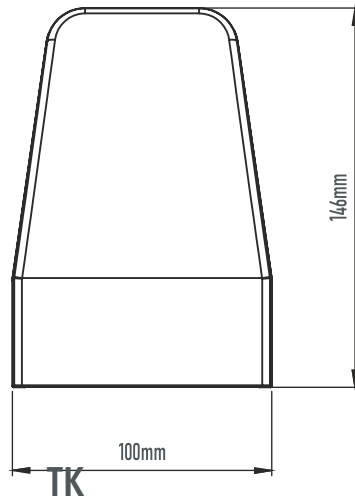
■ TK10-15/A

Cam Yüksekliği : 100cm (max.)  
Cam Kalınlığı : 8+8+0,76/1,52  
Sertifikalı Onaylı Ürün

Glass Height : 100cm (max.)  
With Glass : 8+8+0,76/1,52  
Certificated System

# Glass Channel Systems

[www.tekna1.com.tr](http://www.tekna1.com.tr)



## TK 10-15/B

Cam Yüksekliği : 100cm (max.)

Cam Kalınlığı : 10+10+0,76/1,52

RAL renk seçenekleri mevcuttur.

**Sertifikalı Onaylı Ürün**

Glass Height : 100cm (max.)

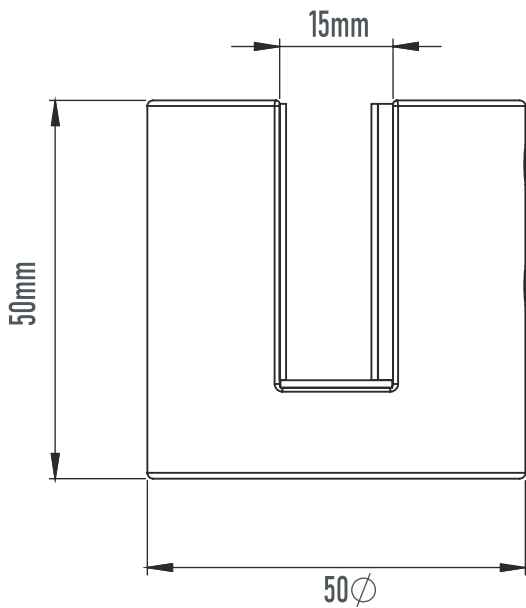
With Glass : 10+10+0,76/1,52

RAL color options available

**Certificated System**

# Glass Channel Systems

[www.tekna1.com.tr](http://www.tekna1.com.tr)



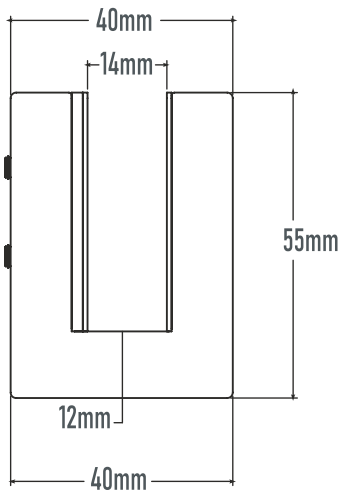
■ TK10-18

Cam Yüksekliği : 100cm (max.)  
Cam Kalınlığı : 5+5+0,76/1,52  
Sertifikalı Onaylı Ürün

Glass Height : 100cm (max.)  
With Glass : 5+5+0,76/1,52  
Certificated System

# Glass Channel Systems

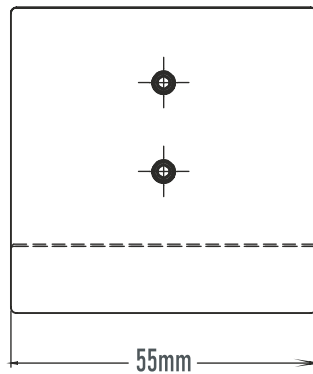
[www.tekna1.com.tr](http://www.tekna1.com.tr)



■ TK10-18/A

Cam Yüksekliği : 100cm (max.)  
Cam Kalınlığı : 5+5+0,76/1,52  
Sertifikalı Onaylı Ürün

Glass Height : 100cm (max.)  
With Glass : 5+5+0,76/1,52  
Certificated System





# Garden Fence Systems

[www.tekna1.com.tr](http://www.tekna1.com.tr)

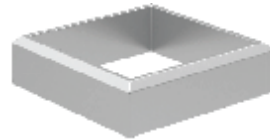
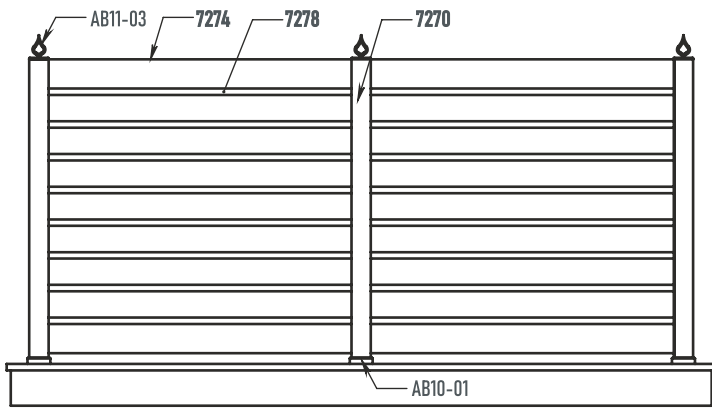


# Garden Fence Systems

www.tekna1.com.tr



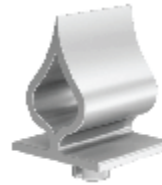
## AKSESUARLAR ve PROFİLLER / ACCESSORIES and PROFILES



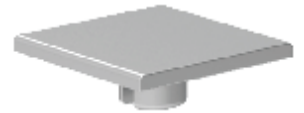
AB10-01



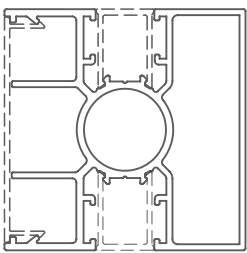
A24-05



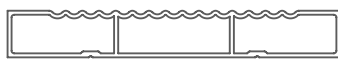
AB11-03



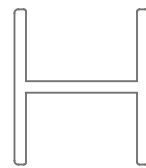
AB11-01



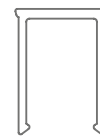
7270



7274



7278



7279



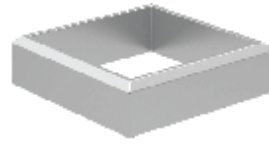
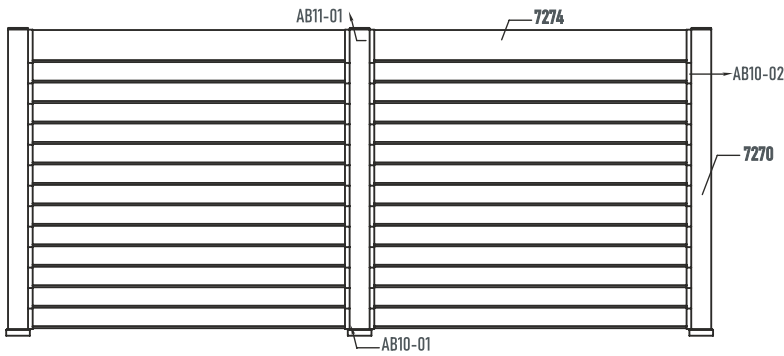
7280

# Garden Fence Systems

www.tekna1.com.tr



## AKSESUARLAR ve PROFİLLER / ACCESSORIES and PROFILES



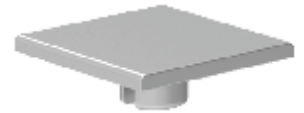
AB10-01



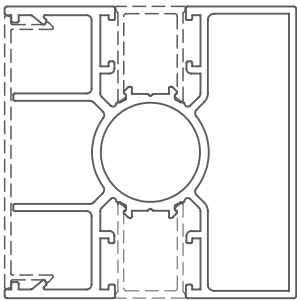
A24-05



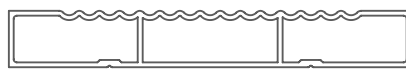
AB10-02



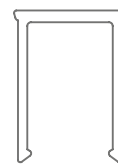
AB11-01



7270



7274



7279



7280



## EXCLUSIVE

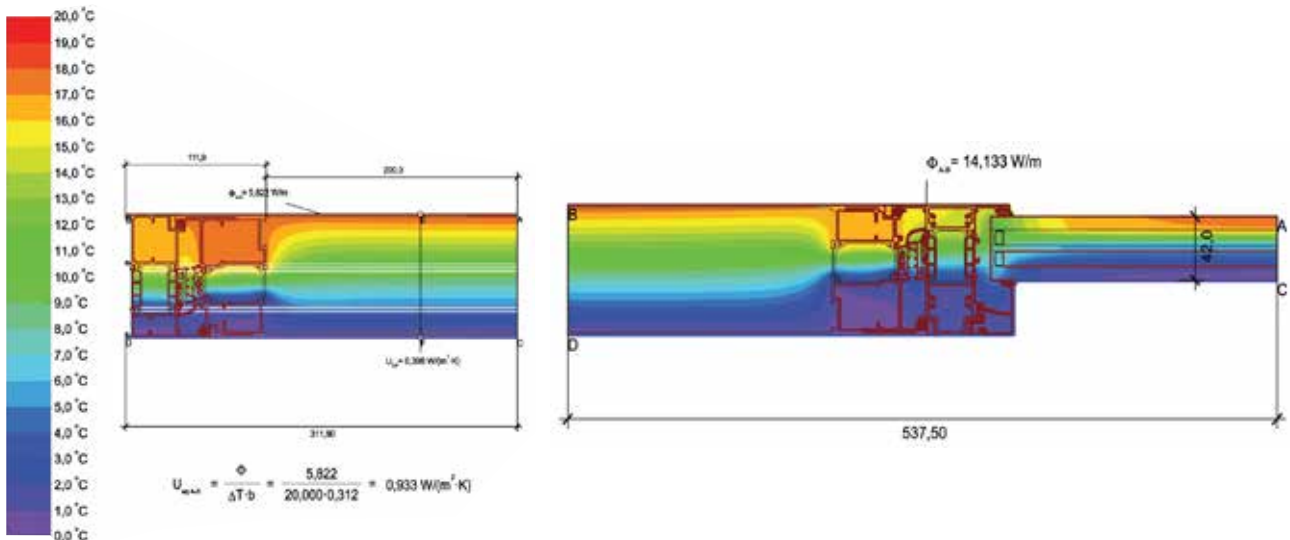


<b>Profil Dimension</b>	: 125 mm
<b>Profil Sheet Thickness</b>	: 2 mm
<b>INOX Decoration</b>	: Yes
<b>Min. and Max. Door Height</b>	: 1920 - 2500 mm
<b>Min. and Max. Door Width</b>	: 850 - 1250 mm
<b>External Sheet Thickness</b>	: Aluminium 2 mm
<b>Internal Sheet Thickness</b>	: Aluminium 2 mm
<b>Door Handle</b>	: INOX
<b>Panel's Glass</b>	: 82 mm (Four Glass)

## PRIMEUM LINE



<b>Profil Dimension</b>	: 86 mm
<b>Profil Sheet Thickness</b>	: 2 mm
<b>INOX Decoration</b>	: Yes
<b>Min. and Max. Door Height</b>	: 1920 - 2500 mm
<b>Min. and Max. Door Width</b>	: 850 - 1250 mm
<b>External Sheet Thickness</b>	: Aluminium 2 mm
<b>Internal Sheet Thickness</b>	: Aluminium 2 mm
<b>Door Handle</b>	: INOX
<b>Panel's Glass</b>	: 82 mm (Four Glass)



## EXCLUSIVE



<b>Profil Dimension</b>	: 70 mm
<b>Profil Sheet Thickness</b>	: 2 mm
<b>INOX Decoration</b>	: Yes
<b>Min. and Max. Door Height</b>	: 1920 - 2500 mm
<b>Min. and Max. Door Width</b>	: 850 - 1250 mm
<b>External Sheet Thickness</b>	: Aluminium 2 mm
<b>Internal Sheet Thickness</b>	: Aluminium 2 mm
<b>Door Handle</b>	: INOX
<b>Panel's Glass</b>	: 59 mm (Three Glass)

## EXCLUSIVE



<b>Profil Dimension</b>	: 60 mm
<b>Profil Sheet Thickness</b>	: 2 mm
<b>INOX Decoration</b>	: Yes
<b>Min. and Max. Door Height</b>	: 1920 - 2500 mm
<b>Min. and Max. Door Width</b>	: 850 - 1250 mm
<b>External Sheet Thickness</b>	: Aluminium 1.5 mm
<b>Internal Sheet Thickness</b>	: Aluminium 1.5 mm
<b>Door Handle</b>	: INOX
<b>Panel's Glass</b>	: 28 mm (Two Glass)

## EXCLUSIVE



<b>Profil Dimension</b>	: 75 mm
<b>Profil Sheet Thickness</b>	: 2 mm
<b>INOX Decoration</b>	: Yes
<b>Min. and Max. Door Height</b>	: 1920 - 2500 mm
<b>Min. and Max. Door Width</b>	: 850 - 1250 mm
<b>External Sheet Thickness</b>	: Aluminium 2 mm
<b>Internal Sheet Thickness</b>	: PVC 2 mm
<b>Door Handle</b>	: INOX
<b>Panel's Glass</b>	: 55 mm (Four Glass)

# Door Systems

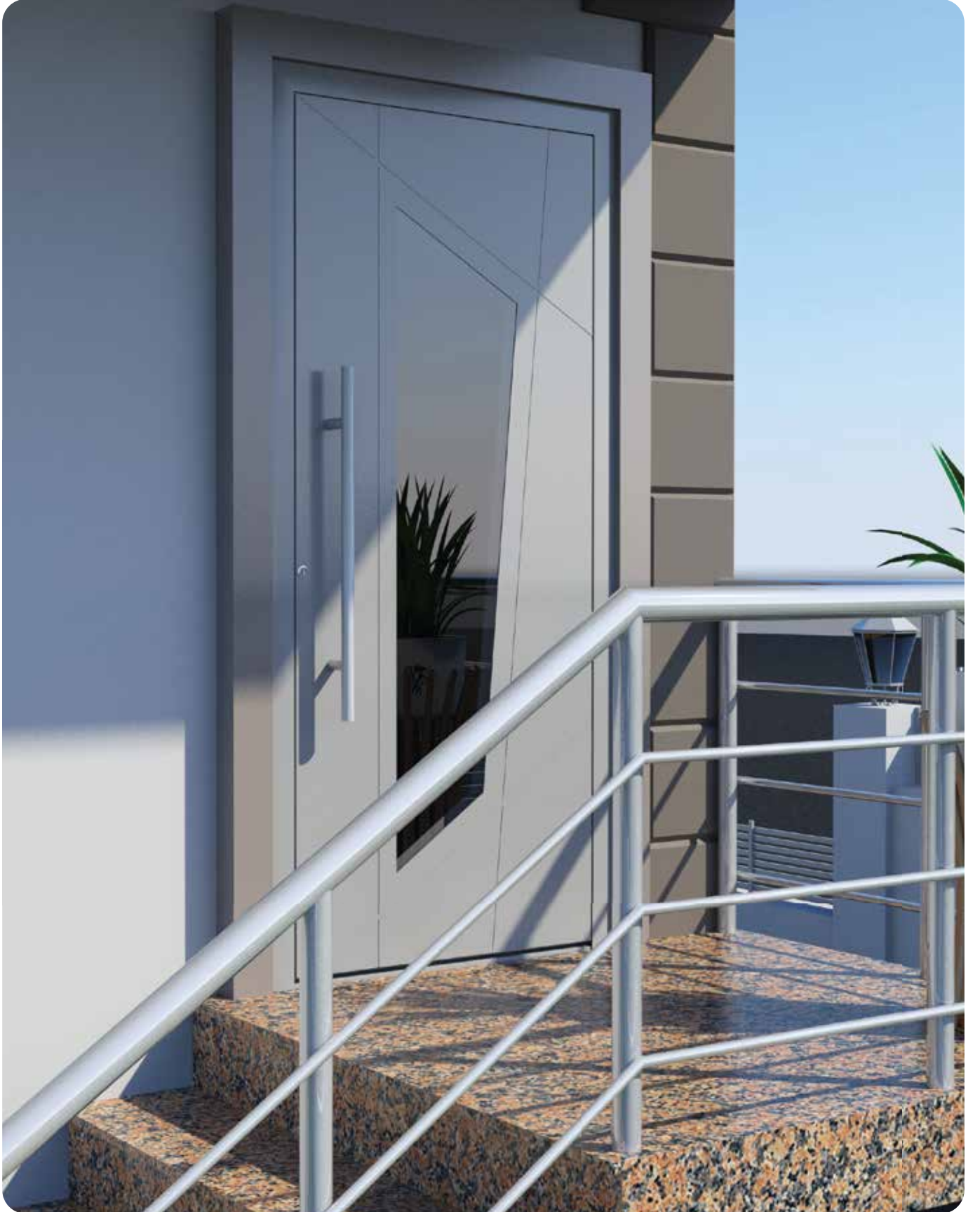
[www.tekna1.com.tr](http://www.tekna1.com.tr)



**Code** : 500  
**Color** : Ral 7016 Text  
**External Handle** : Bar/Blade



**Code** : 500  
**Color** : Ral 9016 Matt  
**External Handle** : Bar/Blade





# Door Systems

[www.tekna1.com.tr](http://www.tekna1.com.tr)



**Code** : 600  
**Color** : Ral 7016 Text  
**Glass** : Opaque Glass  
**External Handle** : Bar/Blade



**Code** : 601  
**Color** : Ral 7040 Text  
**Glass** : Opaque Glass  
**External Handle** : Bar/Blade

# Door Systems

[www.tekna1.com.tr](http://www.tekna1.com.tr)



**Code:** 602  
**Color:** RAL 9016 matt  
**Glass:** Opaque Glass  
**External Handle:** Bar/Blade



**Code:** 603  
**Color:** RAL 7016 Text  
**Glass:** Opaque Glass  
**External Handle:** Bar/Blade



**Code:** 604  
**Color:** RAL 7040 Text  
**Glass:** Opaque Glass  
**External Handle:** Bar/Blade



**Code:** 605  
**Color:** RAL 9016 Text  
**Glass:** Opaque Glass  
**External Handle:** Bar/Blade

# Door Systems

[www.tekna1.com.tr](http://www.tekna1.com.tr)



**Code:** 606  
**Color:** RAL 7016 Text  
**Glass:** Opaque Glass  
**External Handle:** Bar/Blade



**Code:** 607  
**Color:** RAL 7040 Text  
**Glass:** Opaque Glass  
**External Handle:** Bar/Blade



**Code:** 608  
**Color:** RAL 9016 matt  
**Glass:** Opaque Glass  
**External Handle:** Bar/Blade



**Code:** 609  
**Color:** RAL 7016 Text  
**Glass:** Opaque Glass  
**External Handle:** Bar/Blade

# Door Systems

[www.tekna.com.tr](http://www.tekna.com.tr)



Code: 500



Code: 501



Code: 502



Code: 503



Code: 600



Code: 601



Code: 602



Code: 603



Code: 604



Code: 605



Code: 606



Code: 607



Code: 608



Code: 609



Code: 610



Code: 611



Code: 612



Code: 700



Code: 701



Code: 702

# Door Systems

[www.tekna1.com.tr](http://www.tekna1.com.tr)



Code: 703



Code: 704



Code: 705



Code: 706



Code: 707



Code: 708



Code: 709



Code: 710



Code: 800



Code: 801



Code: 802



Code: 803



Code: 804



Code: 805



Code: 900



Code: 901



Code: 902



Code: 903



Code: 905



Code: 906



Code: 1000



Code: 1001



Code: 1002

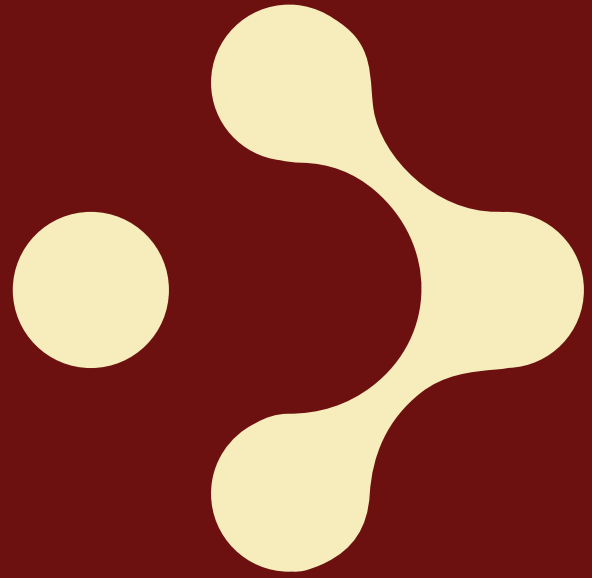


Code: 1003

# TeKnaL

SMART ALUMINIUM SYSTEM

[www.teknaL.com.tr](http://www.teknaL.com.tr)



mail: [info@teknaL.com.tr](mailto:info@teknaL.com.tr) / Web : [www.teknaL.com.tr](http://www.teknaL.com.tr)

tel: +90 (216) 510 38 58 / +90 541 188 31 01

Adres: Güngören mah. Muhtar Ziya cad. no:2-6A Zin D Zer K.5 D:171